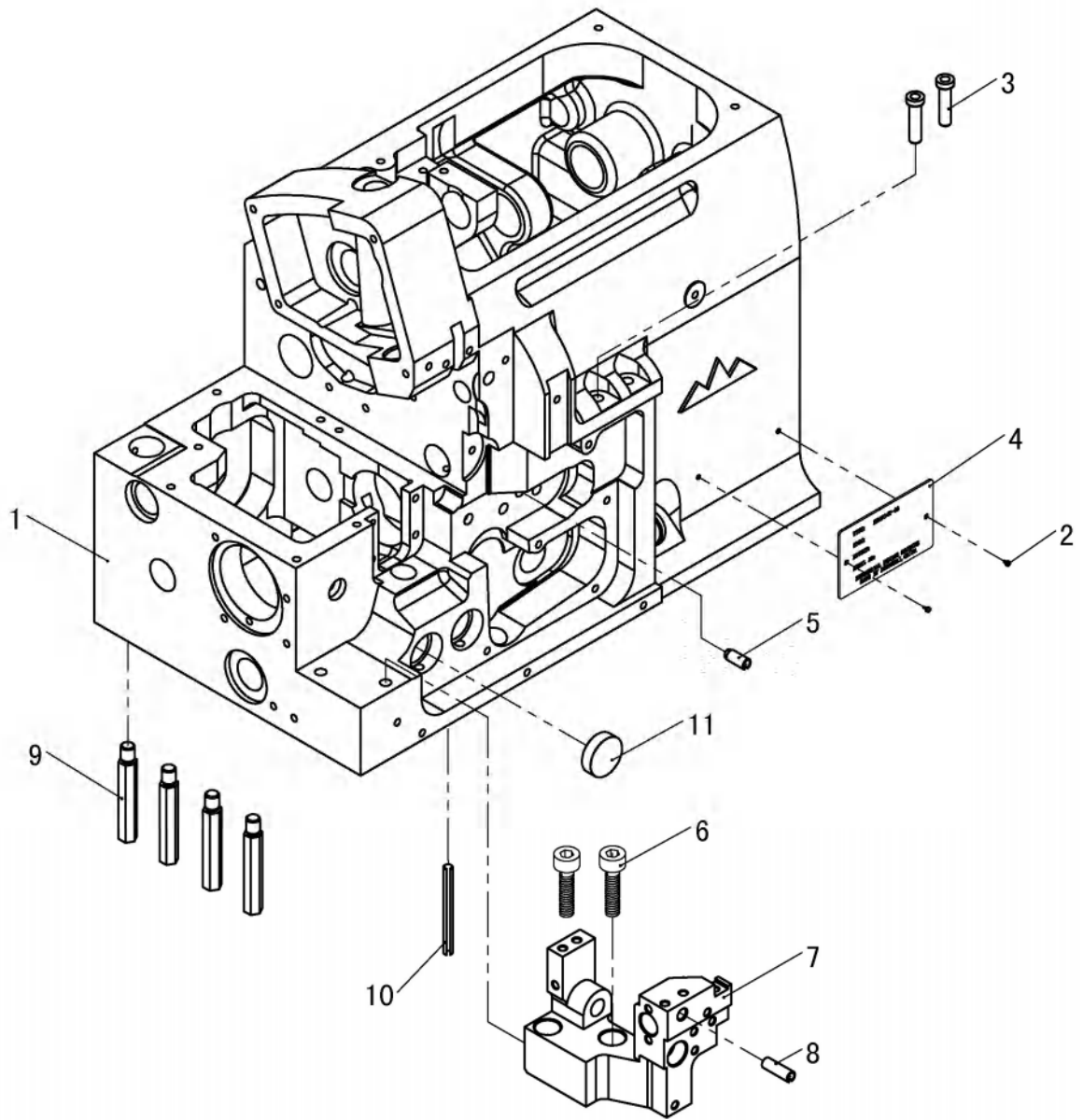
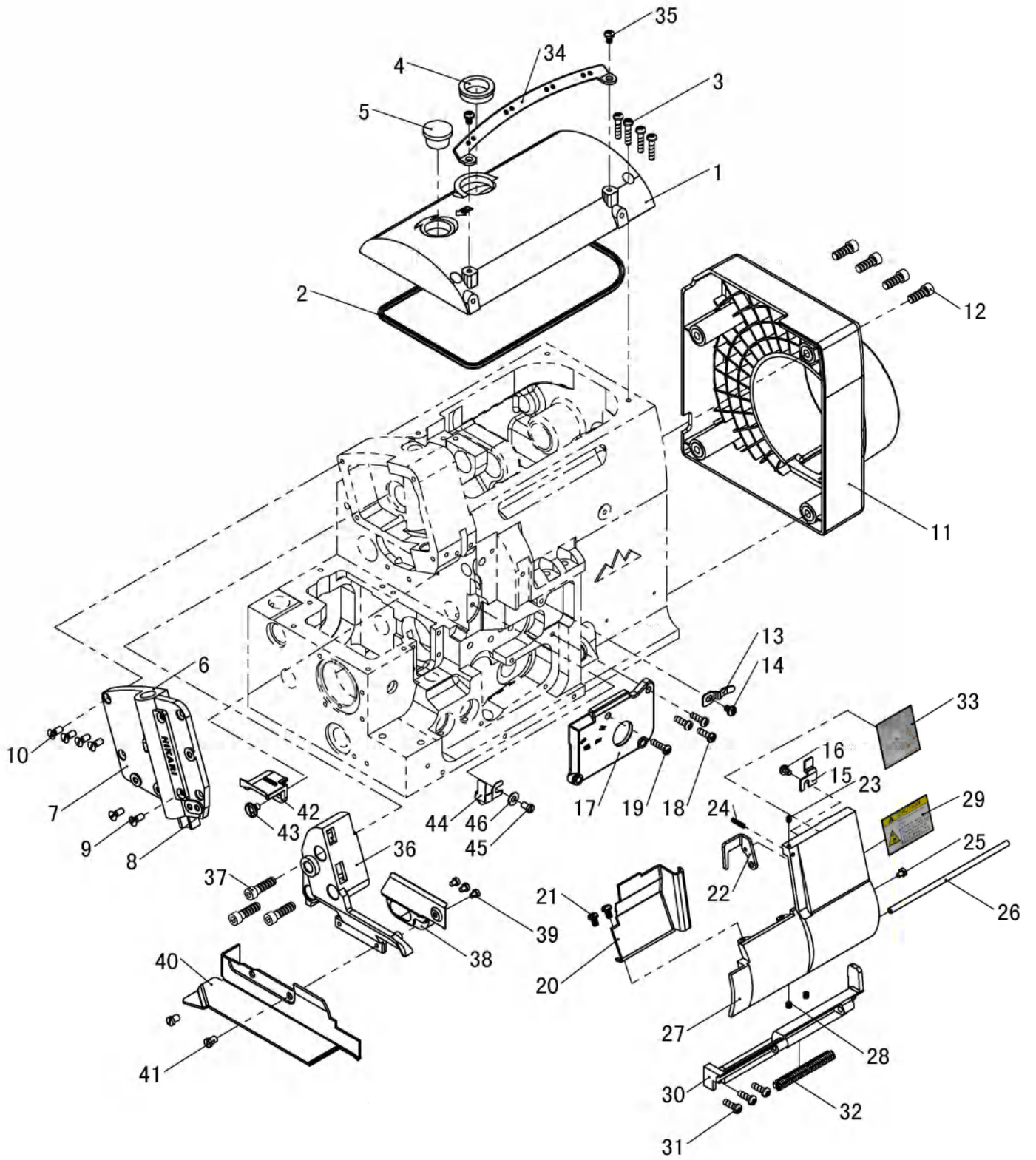


目 录

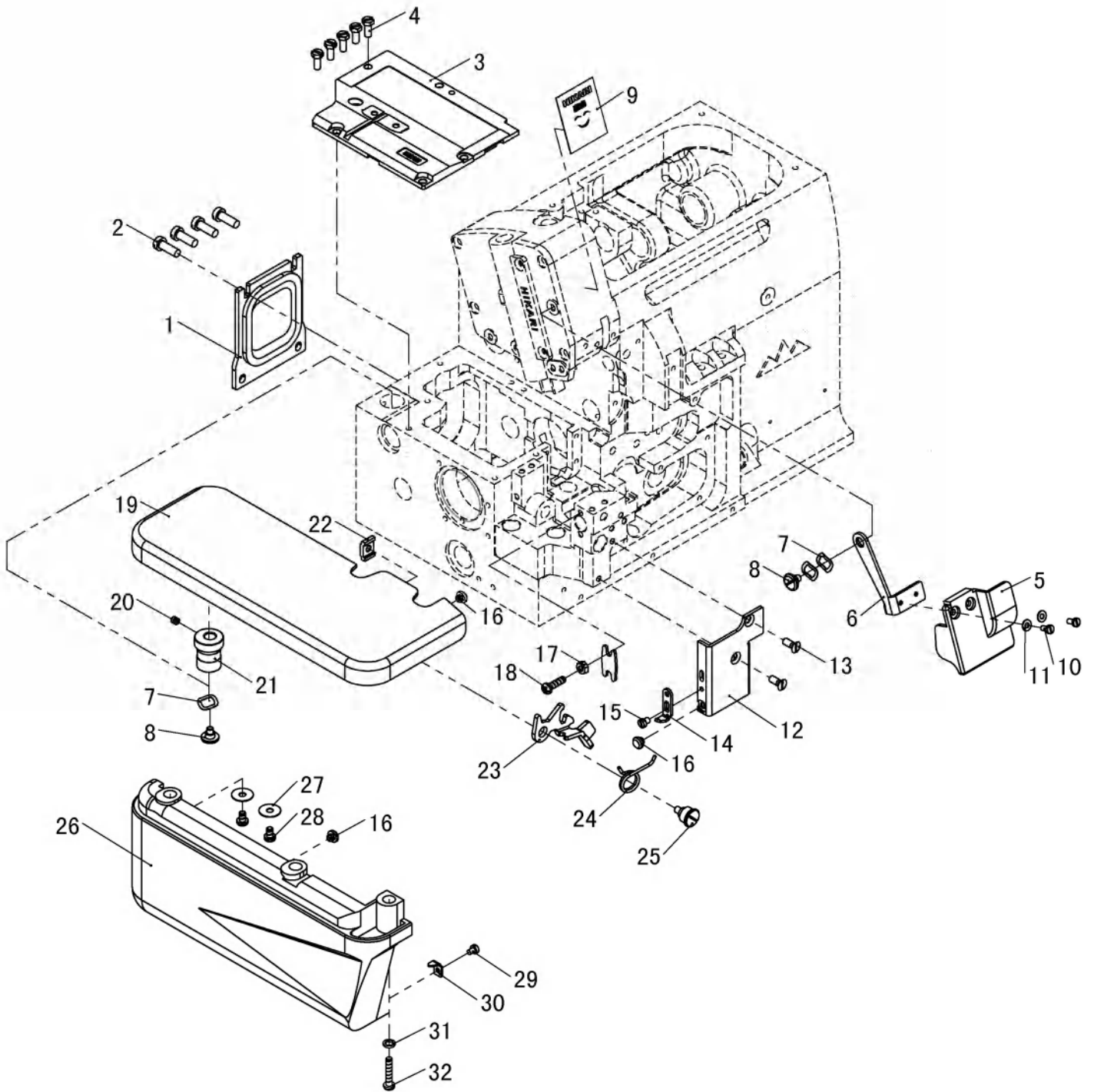
1. 机壳部分 (Machine cover).....	P1-P2
2. 密封部分(1) (Airpoof mechanism(1)).....	P3-P4
3. 密封部分(2) (Airpoof mechanism(2)).....	P5-P6
4. 主轴传动部分 (Main shaft transmit mechanism).....	P7-P8
5. 针杆传动部分 (Needle Rod transmit mechanism).....	P9-P10
6. 针板部分 (Needle bar mechanism).....	P11-P12
7. 上弯针传动部分 (Upper looper driving mechanism).....	P13-P14
8. 下弯针传动部分 (Lower looper driving mechanism).....	P15-P16
9. 针距调节部分 (Adjusting of the stitch space mechanism).....	P17-P18
10. 送布传动部分 (Feed transmit mechanism).....	P19-P20
11. 上送布传动部分(1) (Top feed transmit mechanism(1)).....	P21-P22
12. 上送布传动部分(2) (Top feed transmit mechanism(2)).....	P23-P24
13. 上送布传动部分(3) (Top feed transmit mechanism(3)).....	P25-P26
14. 剪切部分 (Thread trimmer mechanism).....	P27-P28
15. 压布传动部分 (Presser foot driving mechanism).....	P29-P30
16. 润滑部分 (Lubrication component).....	P31-P32
17. 油盘部分 (Oil reservoir component).....	P33-P34
18. 夹线器部分 (Thread tension component).....	P35-P36
19. 过线件部分(1) (Thread guider component(1)).....	P37-P38
20. 过线件部分(2) (Thread guider component(2)).....	P39-P40
21. 硅油装置部分 (Silicone oil component).....	P41-P42
22. 压脚部分 (Presser foot mechanism).....	P43-P44
23. 附件部分 (Accessory list).....	P45-P48





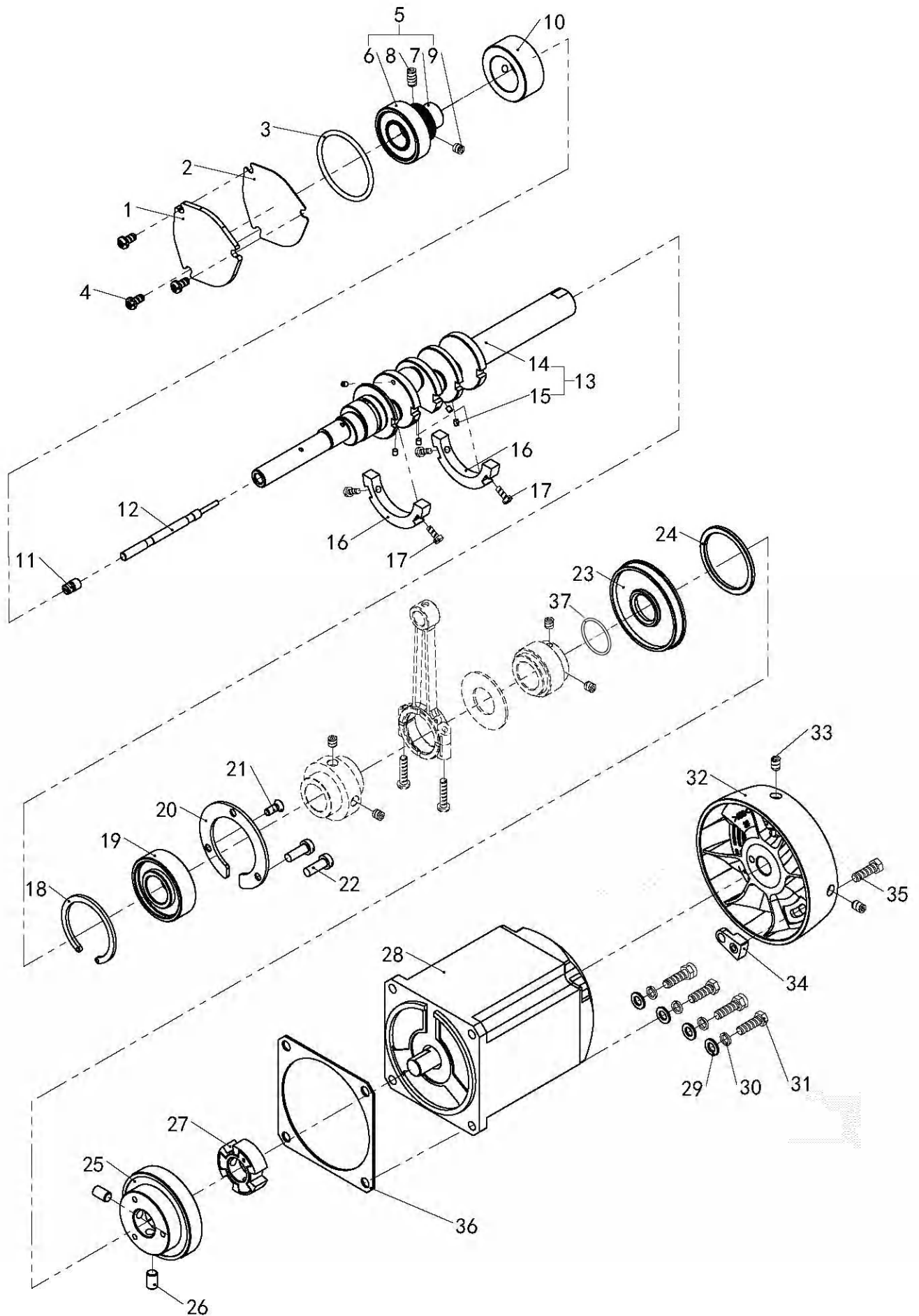
2. 密封部分(1) Airproof mechanism(1)

序号	图号	名称		4线	4线厚料	备注
		中文	英文			
1	2101.02-01	上盖	Upper Cover	1	1	
2	2101.02-02	油封垫	Oil Reservoir Gasket	1	1	
3	01-404001823-1	上盖螺钉	Screw	4	4	
4	201.02-04	油窗	Oil Sight Window	1	1	
5	22-19807024	油塞	Oil Plug	1	1	
6	2101.02-03	机头前盖组件	Front Cover ASM	1	1	
7	2101.02-03-01	机头前盖1	Front Cover	(1)	(1)	
8	2101.02-03-02	机头前盖2	Front Cover	(1)	(1)	
9	01-104000721-1	机头前盖连接螺钉	Screw	(2)	(2)	
10	01-104001021-1	机头前盖固定螺钉	Screw	(4)	(4)	
11	2101.02-04	电机罩	Motor Cover	1	1	
12	01-505001224-1	电机罩螺钉	Screw	4	4	
13	201.02-13	前板锁紧舌	Cloth Waste Cover Stopper	1	1	
14	01-404000523-1	前盖板锁紧舌螺钉	Screw	1	1	
15	201.02-15	前盖板锁紧板	Cloth Waste Locket	1	1	
16	01-404000523-1	前盖板锁紧板螺钉	Screw	1	1	
17	201.02-17	前盖板	Cloth Waste Cover	1	1	
18	01-404001223-1	前盖板螺钉A	Screw	3	3	
19	01-404001423-1	前盖板螺钉B	Screw	1	1	
20	201.02-20	前盖板罩板	Cover	1	1	
21	01-404000623-1	前盖板罩板螺钉	Screw	2	2	
22	201.02-22	前盖板防转压板	Anti-rotating Clamp	1	1	
23	01-803000414-1	螺钉	Screw	1	1	
24	01-803001214-1	螺钉	Screw	1	1	
25	01-503000421-1	前盖板防转压板螺钉	Screw	1	1	
26	201.02-27	铰链销	Looper Cover Hinge Shaft	1	1	
27	201.02-28G1	前罩壳	Cover	1	1	
28	01-804000414-1	铰链销紧定螺钉	Screw	2	2	
29	101.01-13	安全指示牌	Safety-indicating Plate	1	1	
30	201.02-30	前罩壳下铰链	Hinge	1	1	
31	01-404001223-1	下铰链螺钉	Screw	3	3	
32	201.02-32	铰链销弹簧	Hinge Shaft Spring	1	1	
33	202.02-33	穿线标识	Threading Sign	1	1	
34	201.02-35G	过线板A	Thread Guide Plate	1	1	
35	01-404000623-1	过线板螺钉	Screw	2	2	
36	2101.02-05	托架	Bracket	1	1	
37	01-506002524-1	托架螺钉M6×25	Screw	3	3	
38	2101.02-06	盖板	Cover	1	1	
39	01-503000421-1	盖板螺钉M3×3.5	Screw	3	3	
40	2101.02-07	导布板	Fabric Guard	1	1	
41	01-645000621-1	M4.5×6螺钉	Screw	2	2	
42	2101.02-08	橡胶盖	Cover	1	1	
43	2101.02-09	M4螺钉	Screw	1	1	
44	2101.02-10	卡板	Cover	1	1	
45	01-604000621-1	M4×5.5螺钉	Screw	1	1	
46	09-0420408-1	波形垫片	Spring Washer	1	1	



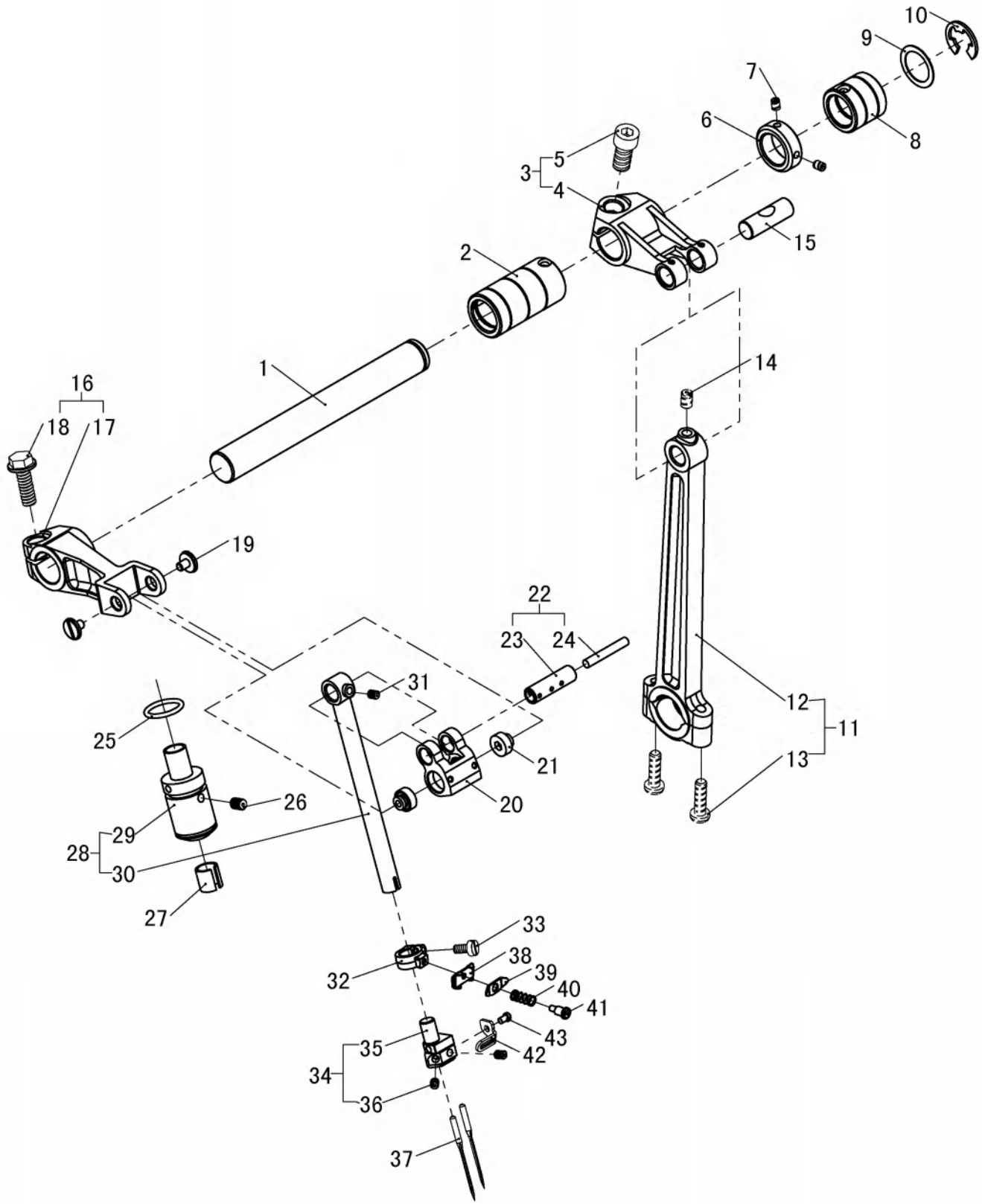
3. 密封部分(2) Airproof mechanism(2)

序号	图号	名称		4线	4线厚料	备注
		中文	英文			
1	201.03-01	后盖板组件	Rear Cover ASM	1	1	
2	01-504001021-1	后盖板螺钉	Screw	4	4	
3	201.03-03	左上盖	Cover	1	1	
4	01-704000821-1	左上盖固定螺钉	Screw	5	5	
5	201.03-05	观察镜	Observing Mirror	1	1	
6	201.03-06	观察镜支架	Mirror Bracket	1	1	
7	08-0700311-1	波形弹性垫圈	Cushion	3	3	
8	201.03-08	台螺钉	Screw	2	2	
9	H0-002	新笑脸牌	Series Card	1	1	
10	01-603000621-1	观察镜固定螺钉	Setscrew	2	2	
11	05-032050700-1	平垫圈	Ring	2	2	
12	201.03-12	防护板	protective board	1	1	
13	01-104000721-1	防护板固定螺钉	Setscrew	2	2	
14	201.03-14	压板	Pressure Board	1	1	
15	01-535000421-1	防护板压板固定螺钉	Screw	1	1	
16	201.03-16	防震塞	Rubber Cushion	3	3	
17	03-604000320-1	调节螺母	Adjusting Nut	1	1	
18	01-404001623-1	调节螺钉	Adjusting Screw	1	1	
19	201.03-22G	缝台组件	Cloth Base ASM	1	1	
20	01-804000414-1	缝台转动轴固定螺钉	Screw	1	1	
21	201.03-24	缝台转动轴套	Eccentric Bushing	1	1	
22	201.03-26	缝台闸固定板	Fix Board	1	1	
23	201.03-27	缝台闸	Cloth Base Switch-type Stopper	1	1	
24	201.03-28	缝台闸弹簧	Cloth Base Switch-type Spring	1	1	
25	201.03-29	缝台闸固定螺钉	Screw	1	1	
26	201.03-30G1	缝台下罩壳组件	Cloth Base Lower Cover ASM	1	1	
27	05-043201350-1	下罩壳垫圈	Lower Cover Gasket	2	2	
28	01-404000623-1	下罩壳固定螺钉A	Lower Cover Setscrew	2	2	
29	01-503000421-1	下罩壳压板螺钉	Pressure Board Screw	1	1	
30	201.03-34	下罩壳压板	Lower Sover Pressure Board	1	1	
31	07-0421111-1	弹簧垫圈	Cushion	1	1	
32	01-404002023-1	下罩壳固定螺钉B	Setscrew	1	1	



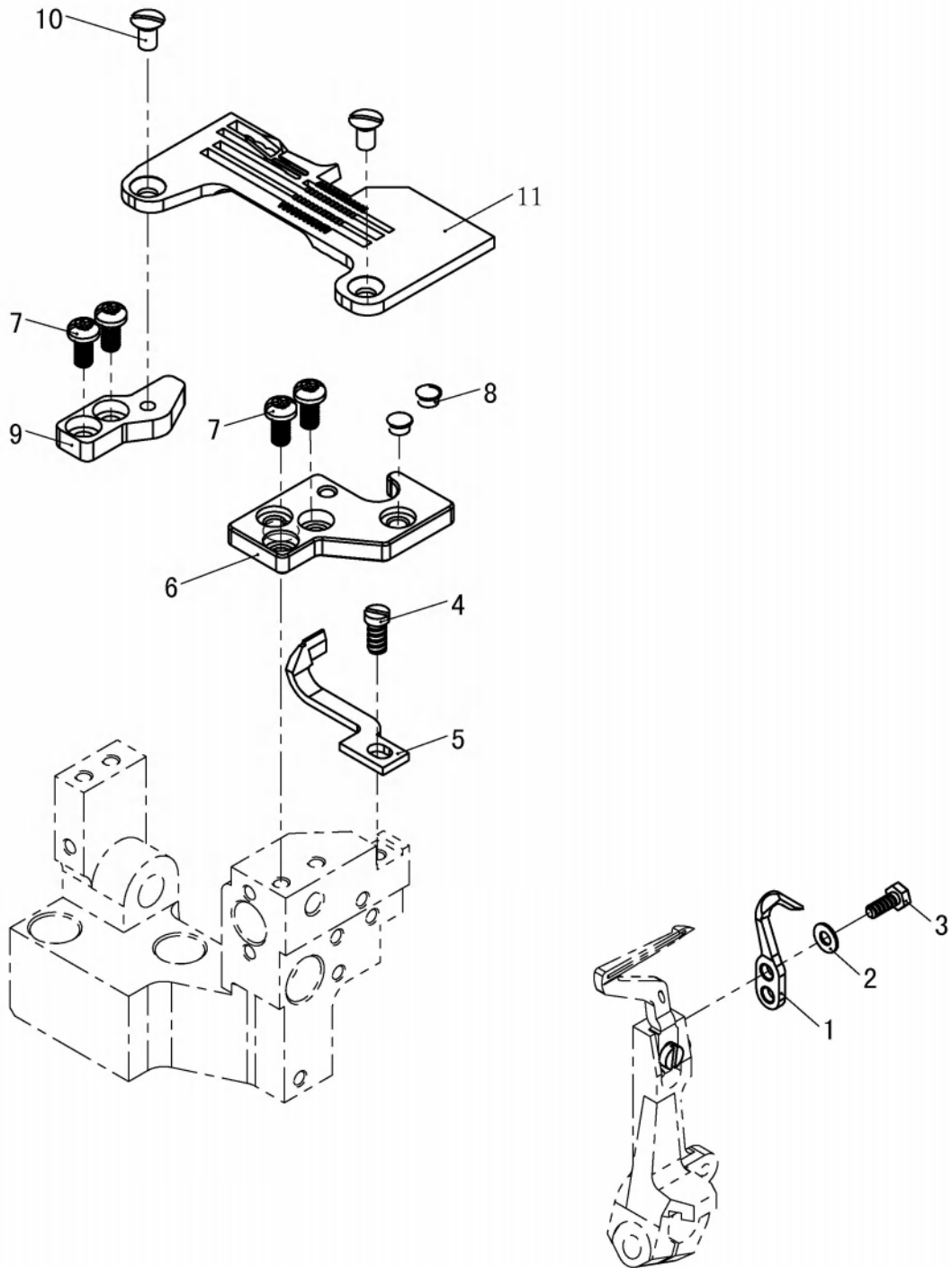
4. 主轴传动部分 Main shaft transmit mechaniam

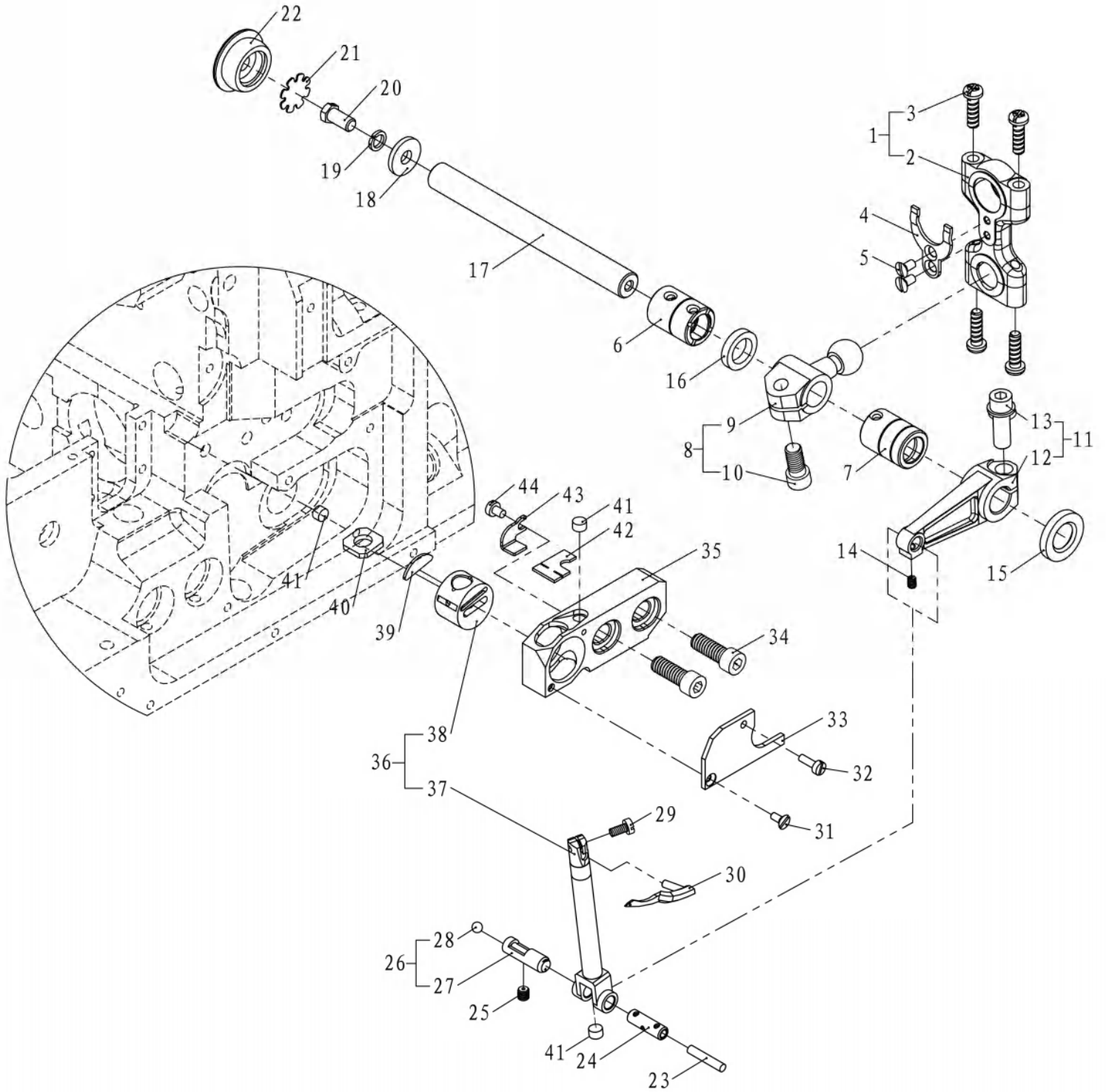
序号	图号	名称		4线	4线厚料	备注
		中文	英文			
1	201.04-01G	主轴前轴承盖	Main and Front bearing cover	1	1	
2	201.04-01G-01	轴承盖橡胶垫	bearing cover Rubber sealing	1	1	
3	12-387265	O型圈	O-ring	1	1	
4	01-404000823-1	轴承座固定螺钉A	Setscrew A	3	3	
5	201.04-05	轴承组件	Crankshaft Ball Bearing ASM	1	1	
6	14-6202-RZ	轴承	Crankshaft Ball Bearing	(1)	(1)	
7	201.04-05-2	轴承套（外齿）	Shaft Bushing	(1)	(1)	
8	01-805001014-1	轴承紧套紧定螺钉A	Setscrew A	(1)	(1)	
9	01-805000514-1	轴承紧套紧定螺钉B	Setscrew B	(1)	(1)	
10	201.04-14	主轴中轴套	Mainshaft Bushing	1	1	
11	201.04-09	主轴端螺钉	Screw	1	1	
12	201.04-18	油量销	Oil Adjusting Bar	1	1	
13	2101.04-10	主轴组件	Mainshaft Components	1		
	2102.04-10	主轴组件	Mainshaft Components		1	
14	2101.04-10-01	主轴	Mainshaft	(1)		
	2102.04-10-01	主轴	Mainshaft		(1)	
15	201.04-10-02	主轴堵螺钉	Mainshaft Setscrew	(5)	(5)	
16	201.04-12	主轴平衡块	Mainshaft Balance Block	2	2	
17	01-503000821-1	主轴平衡块固定螺钉	Setscrew	4	4	
18	11-4251824-1	制动环	braking Ring	1	1	
19	14-6203	单列向心球滚珠轴承	Crankshaft Ball Bearing	1	1	
20	210.04-30	轴承挡圈	Bearing Ring	1	1	
21	01-104000721-1	沉头螺钉	Screw	1	1	
22	01-504000621-1	螺钉	Screw	2	2	
23	13-16270530	油封	Oil Seal	1	1	
24	260.04-28	波形垫圈	Washer	1	1	
25	14-6907-2RS/17	连体轴承	Bearing	1	1	
26	01-806751014-1	连体轴承螺钉	Screw	2	2	
27	260.04-44	电机联轴器（连体）	Motor Linker	1	1	
28	M0-05B-550/01	电机	Motor Asm	1	1	
29	05-056101000-4	平垫片	Washer	4	4	
30	07-0521313-1	弹簧垫片	Spring Washer	4	4	
31	01-505001624-1	直驱电机螺钉	Screw	4	4	
32	210.04-27G	手轮组件3#	Hand Wheel ASM 3#	1	1	
33	02-815281014-1	手轮螺钉	Screw	2	2	
34	103.13-107	磁钢座组件	Magnet Block	1	1	
35	18-404000823-3	三组合螺钉	Screw	1	1	
36	102.11-41	步进电机垫片	MOTOR Washer	1	1	
37	12-150150	O型圈	O-ring	1	1	



5. 针杆传动部分 Needle Rod transmit mechanism

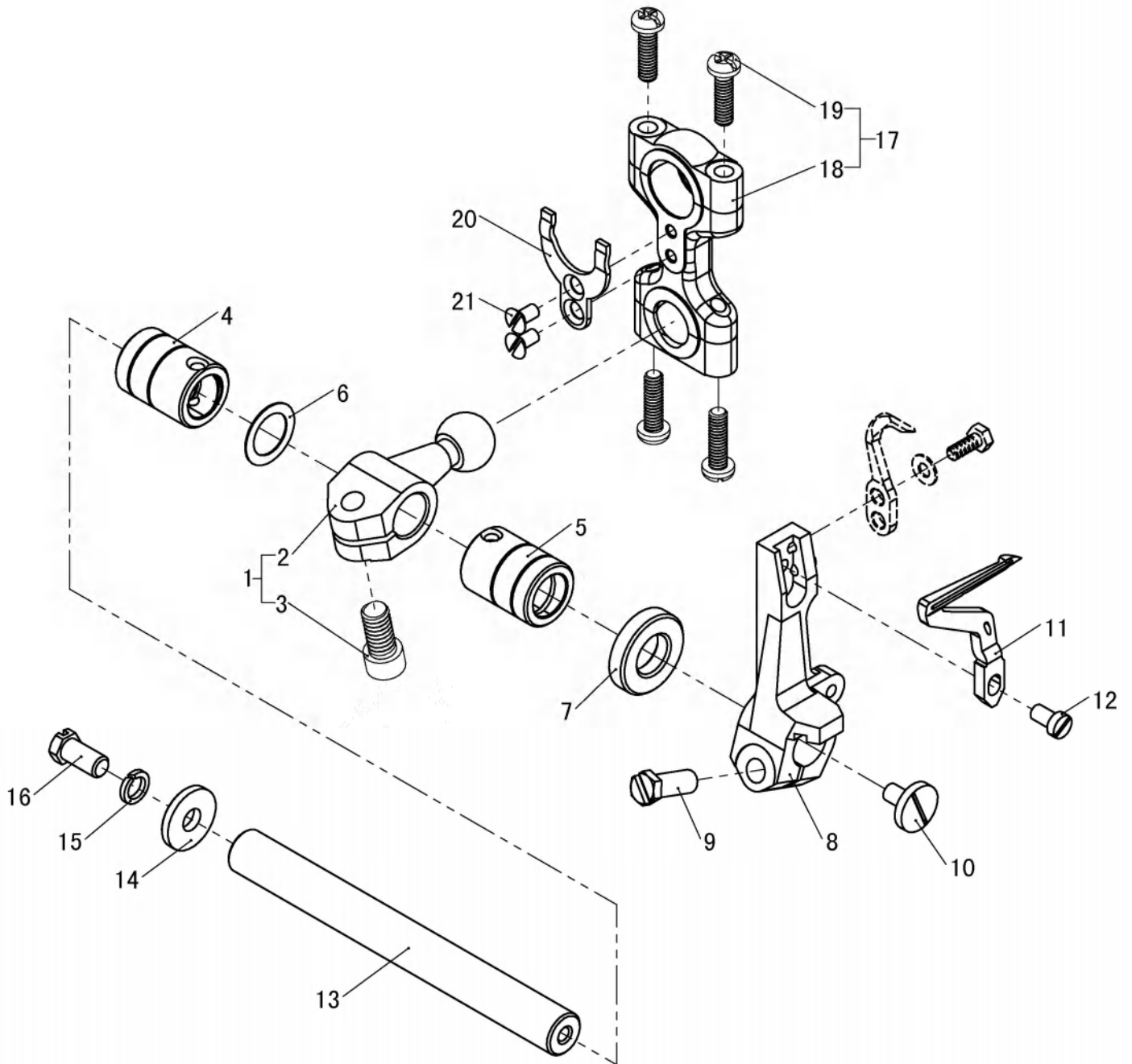
序号	图号	名称		4线	4线厚料	备注
		中文	英文			
1	2101.05-01	针杆传动轴	Needle Rod Transmit Shaft	1	1	
2	201.05-02	机针传动轴前套筒	Front Bushing	1	1	
3	201.05-03	机针传动轴曲柄组件	Needle Rod Transmit Shaft Crank ASM	1	1	
4	201.05-03-01	机针传动轴曲柄	Needle Rod Transmit Shaft Crank	(1)	(1)	
5	01-506751224-1	机针传动轴曲柄螺钉	Screw	(1)	(1)	
6	2101.05-02	轴箍	Thrust Collar	1	1	
7	01-803000314-1	挡圈紧定螺钉	Setscrew	2	2	
8	2101.05-03	机针传动轴后套筒	Rear Bushing	1	1	
9	201.05-08	铜垫片	Copper Spacer	1	1	
10	06-0800816-1	卡簧	E-spring	1	1	
11	201.05-10	针杆连杆组件	Connecting Rod ASM	1	1	
12	201.05-10-01	针杆连杆	Connecting Rod	(1)	(1)	
13	01-404001623-1	针杆连杆螺钉	Connecting Rod Screw	(2)	(2)	
14	01-804000614-1	机针传动连杆紧定螺钉	Connecting Rod Setscrew	1	1	
15	201.05-13	销轴	Feed Branch Crank Pin	1	1	
16	2101.05-04	针杆曲柄组件	Needle Rod Crank ASM	1	1	
17	2101.05-04-01	针杆曲柄	Needle Rod Crank	(1)	(1)	
18	19-706751225-1	针杆传动摆杆螺钉	Screw	(1)	(1)	
19	2101.05-05	M3×4螺钉	Screw	2	2	
20	2101.05-06	连接曲柄	Link	1	1	
21	2101.05-07	螺纹销	Pin	2	2	
22	2101.05-08	针杆连接销组件	Needle Driving ASM Pin ASM	1	1	
23	2101.05-08-01	针杆连接销	Needle Driving ASM Pin	(1)	(1)	
24	2101.05-08-02	油线 $\phi 3 \times 34$	Oil Wick	(1)	(1)	
25	12-115150	O型圈	O-ring	1	1	
26	01-804000544-1	针杆套螺钉	Needle Rod Collar Screw	1	1	
27	201.05-23	毛毡	Felt	1	1	
28	2101.05-10	针杆组件	Needle Rod ASM	1	1	
29	2101.05-10-01	针杆轴套	Needle Rod Collar	(1)	(1)	
30	2101.05-10-02	针杆	Needle Rod	(1)	(1)	
31	01-803000444-1	M3×4螺钉	Screw	1	1	
32	201.05-26	拦线板支架	Needle Thread Presser Guide	1	1	
33	01-903000621-1	固定螺钉	Setscrew	1	1	
34	202.05-29	针夹组件	Needle Clamp ASM	1	1	
35	202.05-29-01	针夹	Needle Clamp	(1)	(1)	
36	01-803000324-1	针夹螺钉	Needle Clamp Screw	(2)	(2)	
37	201.05-32G	机针 (DC×27#11)	Needle	2	2	
38	201.05-33	拦线板 (A)	Needle Thread Presser Guide (A)	1	1	
39	201.05-34	拦线板 (B)	Needle Thread Presser Guide (B)	1	1	
40	201.05-35	拦线板弹簧	Needle Thread Presser Spring	1	1	
41	201.05-36	拦线板紧固螺钉	Hinge Screw	1	1	
42	202.05-37	机针穿线片	Needle Thread Guide Base	1	1	
43	01-502000321-1	机针穿线片紧固螺钉	Setscrew	1	1	

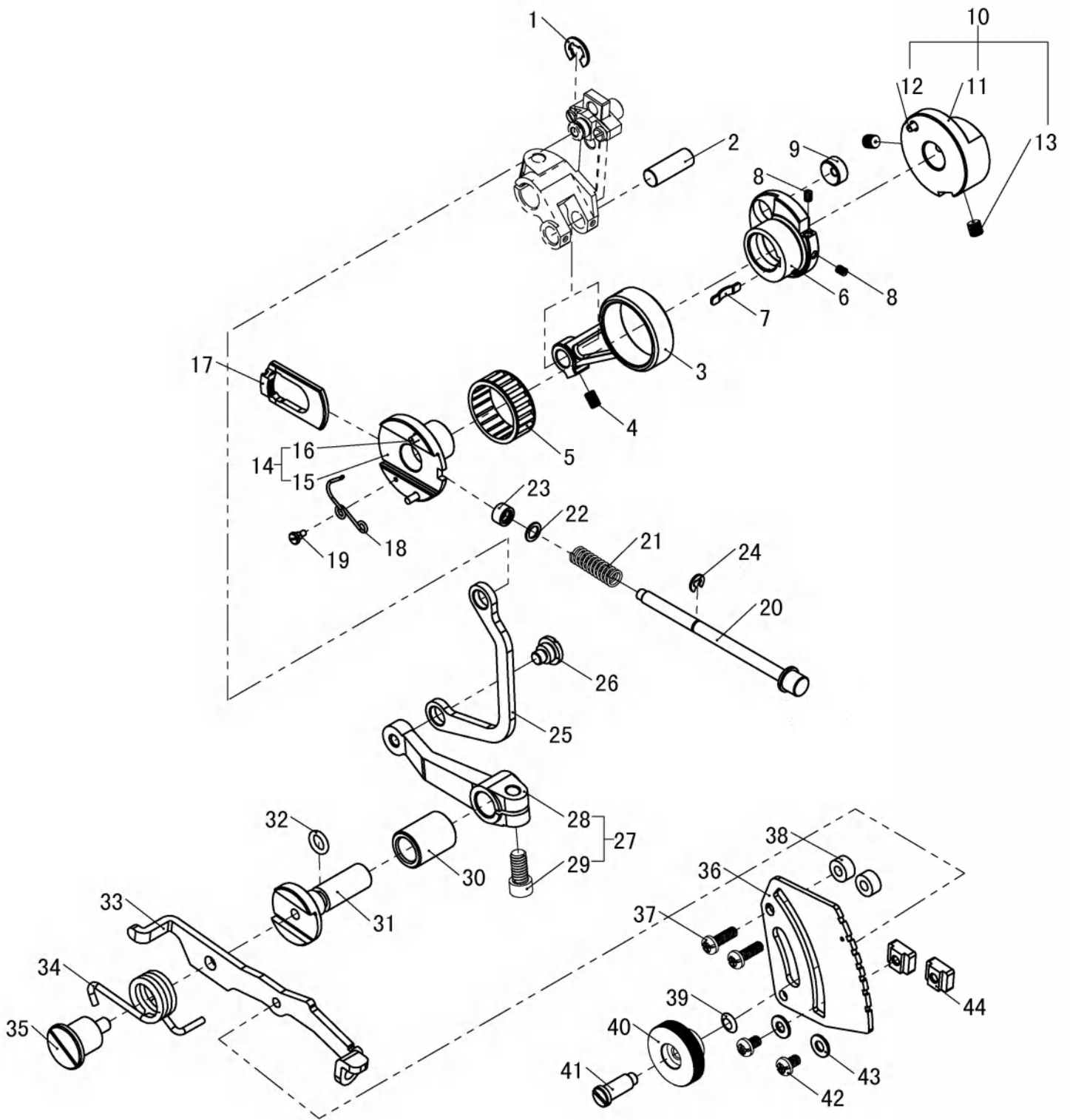




7. 上弯针传动部分 Upper looper driving mechanism

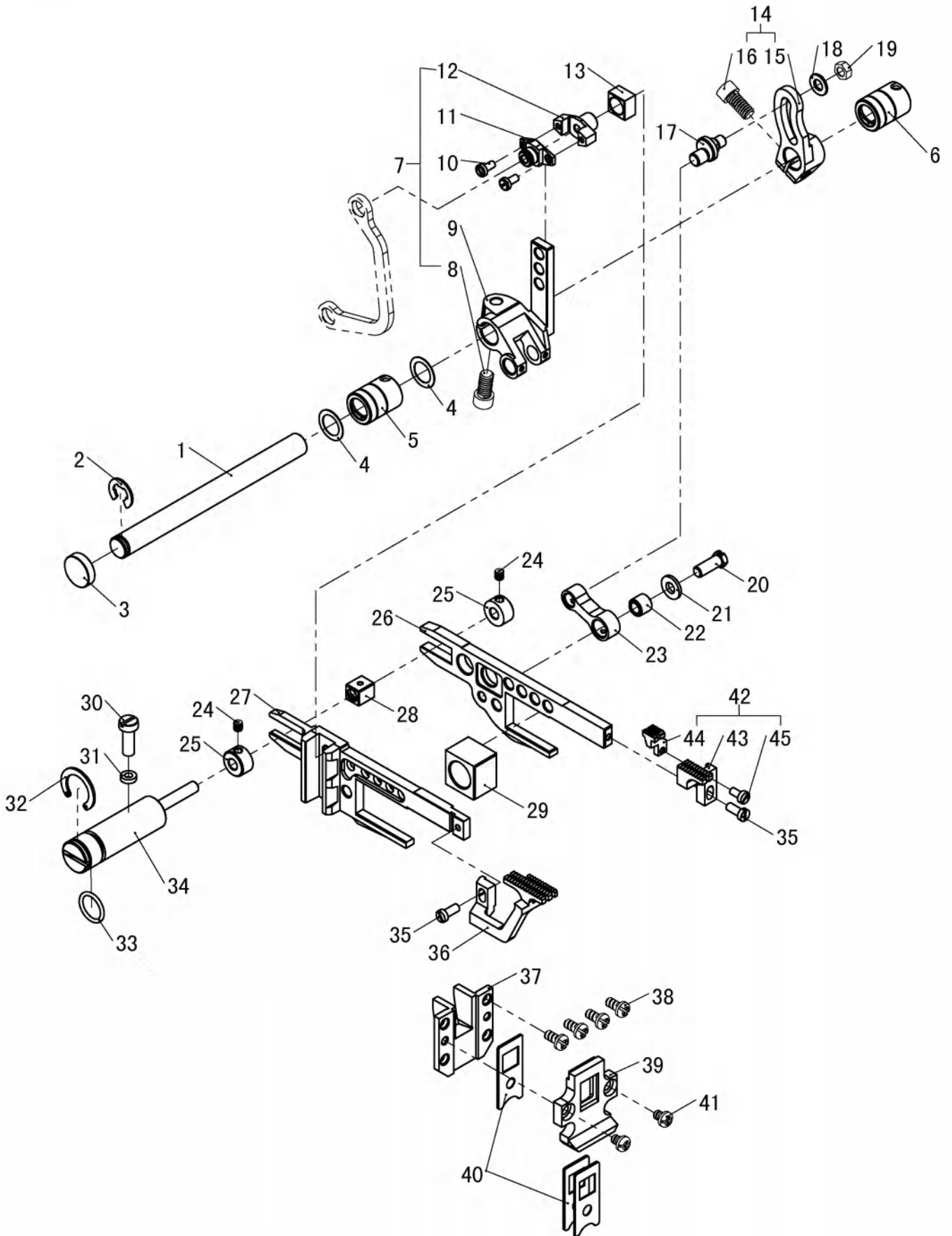
序号	图号	名称		4线	4线厚料	备注
		中文	英文			
1	201.07-01	弯针球连杆组件	Looper Ball Connecting Rod ASM	1	1	
2	201.07-01-01	弯针球连杆	Looper Ball Connecting Rod	(1)	(1)	
3	01-404001623-1	弯针球连杆螺钉	Screw	(4)	(4)	
4	201.07-03	防震片	Rubber Cushion	1	1	
5	01-103000621-1	螺钉	Screw	2	2	
6	201.07-05	上弯针轴后轴套	Upper Looper Shaft Rear Bushing	1	1	
7	201.07-06	弯针轴前轴套	Looper Shaft Front Bushing	1	1	
8	202.07-07	上弯针球曲柄组件	Upper Looper Ball Crank ASM	1	1	
9	202.07-07-01	上弯针球曲柄	Upper Looper Ball Crank	(1)	(1)	
10	01-506751224-1	上弯针球曲柄螺钉	Upper Looper Ball Crank Screw	(1)	(1)	
11	201.07-09	摇杆曲柄组件	Upper Looper Arm ASM	1	1	
12	201.07-09-01	摇杆曲柄	Upper Looper Arm	(1)	(1)	
13	19-706751225-1	螺钉	Screw	(1)	(1)	
14	01-803000444-1	连杆销固定螺钉	Setscrew	1	1	
15	13-09340190	油封	Oil Seal	1	1	
16	202.07-13	挡圈	Stopping Gasket	1	1	
17	201.07-14	弯针轴	Looper Shaft	1	1	
18	05-053201452-5	弯针轴垫片	Looper Shaft Washer	1	1	
19	07-0521313-1	弹簧垫圈	Spring Washer	1	1	
20	01-705001021-1	六角头开槽螺钉	Screw	1	1	
21	201.07-18	防油片	Oil Proof Spacer	1	1	
22	201.07-19	橡胶帽	Rubber Cap	1	1	
23	201.07-20	油线	Oil Thread	1	1	
24	201.07-21	连杆销轴	Gauge Fixing Pin	1	1	
25	01-804000414-1	机壳销紧定螺钉	Setscrew	1	1	
26	201.07-23	机壳销组件	Pin Components	1	1	
27	201.07-23-01	机壳销	Machine Pin	(1)	(1)	
28	201.07-23-02	钢球	Steel Ball	(1)	(1)	
29	01-935000621-1	上弯针紧定螺钉	Setscrew	1	1	
30	202.07-26	上弯针	Upper Looper	1		
	2102.07-01	上弯针	Upper Looper		1	
31	01-125000621-1	挡板螺钉A	Screw A	1	1	
32	01-525000821-1	挡板螺钉B	Screw B	1	1	
33	201.07-29	摇杆座盖	Upper Looper Gange Cover	1	1	
34	01-506001624-1	上弯针滑杆座螺钉	Screw	2	2	
35	201.07-31	摇杆座	Upper Looper Guide Support	1		
	204.07-31	摇杆座	Upper Looper Guide Support		1	
36	201.07-32	摇杆组件	Upper Looper Holder ASM	1	1	
37	201.07-32-01	摇杆	Upper Looper Holder	(1)	(1)	
38	201.07-32-02	摆轴	Thrust Collar	(1)	(1)	
39	201.07-34	月牙毛毡	Crescent Moon Felt	1	1	
40	201.07-35	油毡	Felt	1	1	
41	201.07-36	油塞	Oil Plug	3	3	
42	201.07-40	毛毡	Felt	1	1	
43	201.07-39	挡片	Stopper	1	1	
44	01-503000421-1	M3X4螺钉	Screw	1	1	





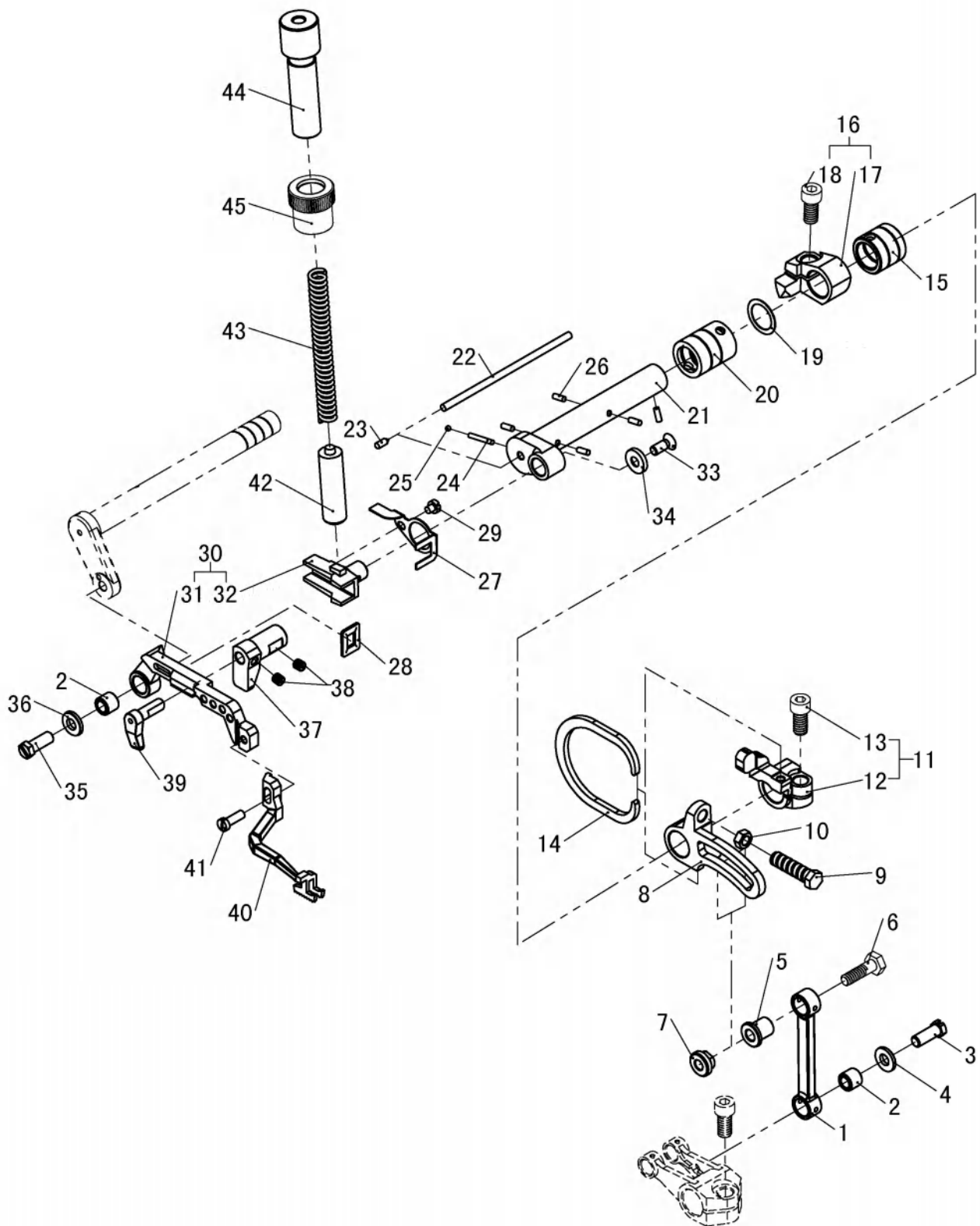
9. 针距调节部分 Adjusting of the stitch space mechanism

序号	图号	名称		4线	4线 厚料	备注
		中文	英文			
1	06-0600812-1	轴用挡圈	Gasket	1	1	
2	201.05-13	销轴	Pin	1	1	
3	201.09-03	送布连杆	Feeding Connecting Rod	1	1	
4	01-804000614-1	送布连杆紧固螺钉	Setscrew	1	1	
5	201.09-05	送布连杆滚针轴承	Feeding Needle Bearing	1	1	
6	201.09-06	针距凸轮	Cam	1	1	
7	201.09-07	弹簧片	Spring	1	1	
8	01-803000414-1	内六角紧定螺钉	Hexagon Setscrew	2	2	
9	201.09-09	针距凸轮滑块	Cam Block	1	1	
10	201.09-10	针距调节座组件	Adjusting Base Components	1	1	
11	201.09-10-01	针距调节座	Adjusting Base	(1)	(1)	
12	201.09-10-02	定位销	Position Pin	(1)	(1)	
13	01-805000514-1	针距调节座紧定螺钉	Position Pin Setscrew	(2)	(2)	
14	201.09-13	偏心轮组件	Eccentric Wheel Components	1	1	
15	201.09-13-01	偏心轮	Eccentric Wheel	(1)	(1)	
16	201.09-13-02	定位销	Position Pin	(2)	(2)	
17	201.09-15	内齿	Inside Gear	1	1	
18	201.09-16	弹簧	Spring	1	1	
19	201.09-17	压簧固定螺钉	Setscrew	1	1	
20	201.09-18	针距调节轴	Ratio Adjusting Rod	1	1	
21	201.09-19	差动调节簧	Ratio Adjusting Spring	1	1	
22	05-050050760-4	垫片	Gasket	1	1	
23	201.09-21	油封	Oil Seal	1	1	
24	06-0300607-1	开口挡圈	E-ring	1	1	
25	201.09-23	差动调节连杆	Ratio Adjusting Rod	1	1	
26	201.09-24A	差动调节连杆螺钉	Ratio Adjusting Rod Screw	1	1	
27	201.09-25	差动调节曲柄组件	Ratio Adjusting Crank ASM	1	1	
28	201.09-25-01	差动调节曲柄	Ratio Adjusting Crank	(1)	(1)	
29	01-506751224-1	固定螺钉	Setscrew	(1)	(1)	
30	201.09-27	差动轴套	Ratio Bushing	1	1	
31	201.09-28	差动轴	Ratio Shaft	1	1	
32	12-060200	O型圈	O-ring	1	1	
33	201.09-30	差动调节杠杆	Ratio Adjusting Lever	1	1	
34	201.09-31	差动扳手簧	Ratio Spanner Spring	1	1	
35	201.09-32	差动扳手固定螺钉	Ratio Spanner Setscrew	1	1	
36	201.09-33	针距调节指示板	Adjusting Indicator	1	1	
37	01-404001223-1	固定螺钉	Setscrew	2	2	
38	201.09-35	固定垫圈	Spacer	2	2	
39	09-0620513-1	弹性垫圈（碟形）	Elastic Spacer (Dish-Live)	1	1	
40	201.09-37	差动调节螺母	Ratio Adjusting Nut	1	1	
41	201.09-38	差动调节螺钉	Ratio Adjusting Screw	1	1	
42	01-404000623-1	定位螺钉	Setscrew	2	2	
43	05-043080900-4	垫片	Spacer	2	2	
44	201.09-41	定位螺母	Nut	2	2	



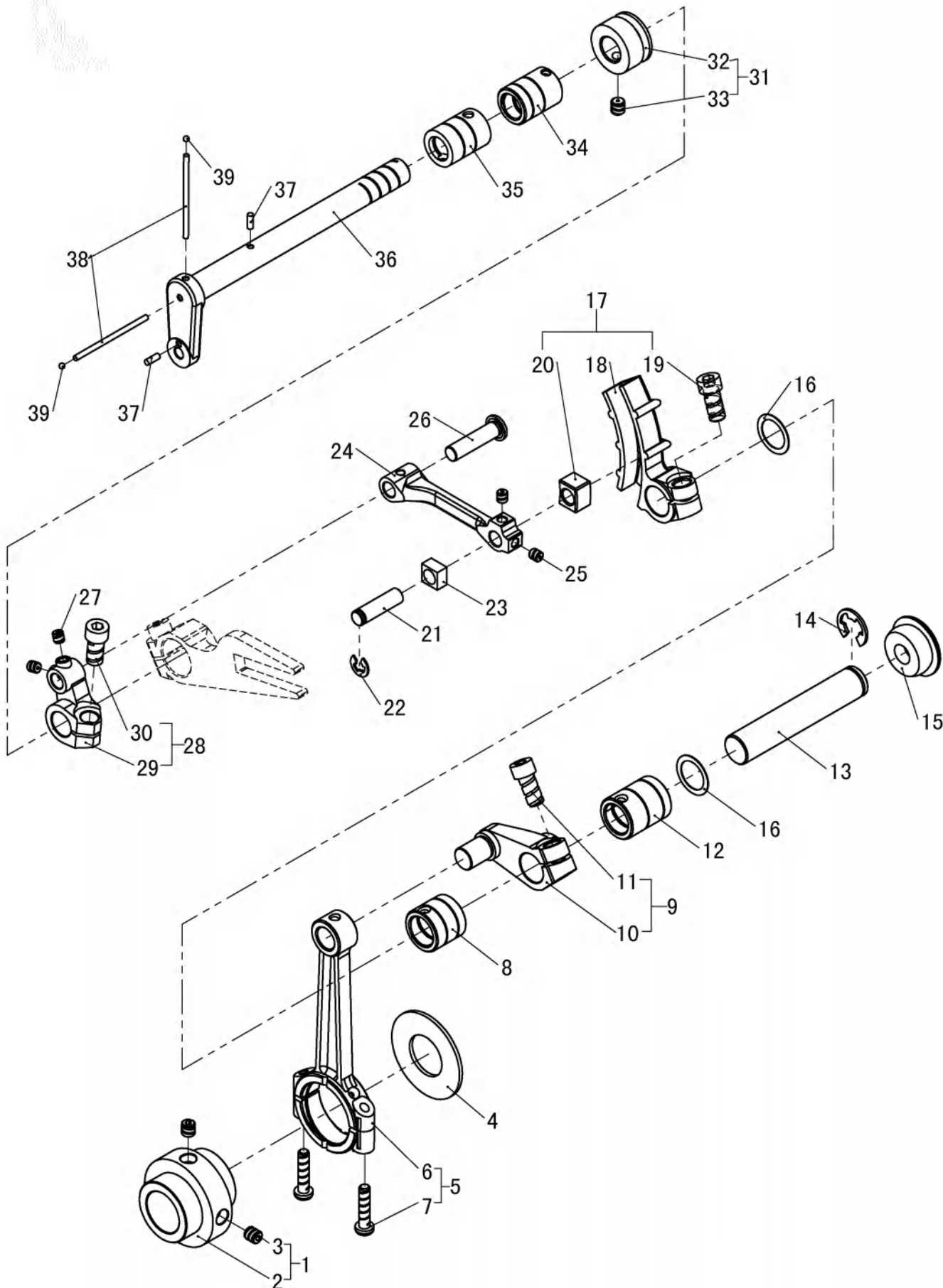
10. 送布传动部分 Feed transmit mechanism

序号	图号	名称		4线	4线厚料	备注
		中文	英文			
1	201.10-01	送布轴	Feed Rocker Shaft	1	1	
2	06-0700814-4	开口挡圈	E-ring	1	1	
3	22-15004000	油封	Oil Seal	1	1	
4	201.08-06	铜垫片	Copper Gasket	2	2	
5	201.07-06	送布轴前轴套	Feed Rocker Shaft Front Bushing	1	1	
6	201.07-06	送布轴后轴套	Feed Rocker Shaft Rear Bushing	1	1	
7	201.10-07	差动牙架调整曲柄组件	Ratio Adjusting Crank ASM	1	1	
8	01-506751224-1	差动牙架调整曲柄螺钉	Ratio Adjusting Crank Screw	(1)	(1)	
9	201.10-07-02	差动牙架调整曲柄	Ratio Adjusting Crank	(1)	(1)	
10	01-503000621-1	滑块盖板螺钉	Slipper Block Screw	(2)	(2)	
11	201.10-07-04	差动送布滑块盖板	Slipper Block Cover	(1)	(1)	
12	201.10-07-05	差动牙架调整曲柄滑块	Crank Block	(1)	(1)	
13	201.10-08	滑块	Slipper Block	1	1	
14	201.10-09	送布调整曲柄组件	Feed Cloth Adjusting Crank ASM	1	1	
15	201.10-09-01	送布调整曲柄	Feed Cloth Adjusting Crank	(1)	(1)	
16	01-506751224-1	送布调整曲柄紧固螺钉	Setscrew	(1)	(1)	
17	201.10-11	偏心轴	Eccentric Cam	1	1	
18	05-053101001-5	垫片	Gasket	1	1	
19	03-605000400-1	送布牙连杆偏心轴螺母	Nut	1	1	
20	01-705051325-1	送布牙架连杆套螺钉	Screw	1	1	
21	05-053151102-5	送布牙架连杆套垫圈	Gasket	1	1	
22	201.10-16	送布牙架连杆套	Connecting Rod Bushing	1	1	
23	201.10-17	送布牙架连杆	Connecting Rod	1	1	
24	01-804000414-1	挡圈螺钉	Screw	2	2	
25	201.10-19	轴箍	Thrust Collar	2	2	
26	201.10-20	送布牙架	Feed Rocker Rank	1	1	
27	201.10-21	差动牙架	Ratio Rank	1	1	
28	201.10-22	差动送布滑块	Feed Slipper Block	1	1	
29	201.10-23	抬牙滑块	Take-up Slipper Block	1	1	
30	01-504000624-1	螺钉	Screw	1	1	
31	201.10-25	油封	Oil Seal	1	1	
32	10-1401014-1	挡圈	E-ring	1	1	
33	12-115160	O型圈	O-ring	1	1	
34	201.10-28	牙叉轴	Shaft	1	1	
35	01-535000821-1	差动牙螺钉	Screw	2	2	
36	201.10-30	差动牙	Ratio dog	1	1	
37	201.10-31	牙架导轨	Guide Orbit	1	1	
38	01-404000823-1	牙架导轨螺钉	Screw	4	4	
39	201.10-33	密封导架	Guide Bracket	1	1	
40	201.10-34	油封	Oil Seal	3	3	
41	01-404000523-1	密封导架螺钉	Screw	2	2	
42	201.10-36	主送布牙组件	Main Feed Dog Components	1	1	
43	201.10-36-01	主送布牙	Main Feed Dog	(1)	(1)	
44	201.10-36-02	副送布牙	Differential Feed Dog	(1)	(1)	
45	01-503000621-1	副送布牙螺钉	Screw	(1)	(1)	



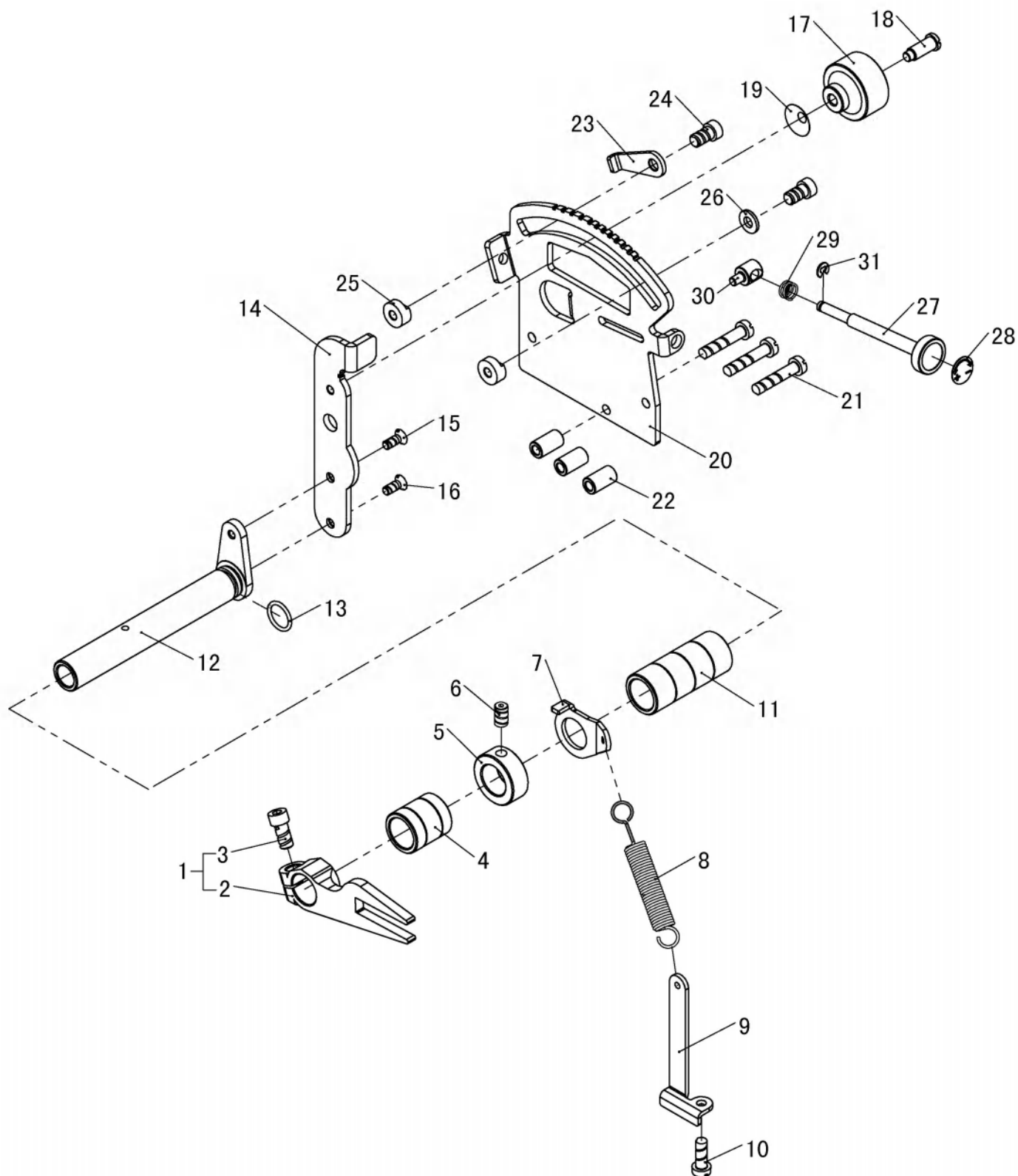
11. 上送布传动部分(1) Top feed transmit mechanism(1)

序号	图号	名称		4线	4线 厚料	备注
		中文	英文			
1	2101.11-01	连杆	Link	1	1	
2	201.10-16	套筒	Bushing	2	2	
3	01-705051325-1	M5×13六角螺钉	Screw	1	1	
4	05-053151102-5	平垫片	Washer	1	1	
5	2101.11-03	轴套	Bushing	1	1	
6	19-705051725-1	螺栓 M5x17	Bolt	1	1	
7	2101.11-04	限位螺母	Nut	1	1	
8	2101.11-05	调节曲柄	Crank	1	1	
9	01-706002255-1	螺栓 M6x22	Bolt	1	1	
10	03-606000400-1	六角螺母	Nut	1	1	
11	2101.11-06	挡套组件	Collar ASM	1	1	
12	2101.11-06-01	挡套	Collar	(1)	(1)	
13	01-506751224-1	M6x12螺钉	Screw	(1)	(1)	
14	2101.11-07	C型弹簧	Flat spring	1	1	
15	2101.05-03	曲柄轴后套筒	Bushing	1	1	
16	2101.11-09	限位挡圈组件	Collar ASM	1	1	
17	2101.11-09-01	限位挡圈	Collar	(1)	(1)	
18	01-506751224-1	螺栓 M6x12	Screw	(1)	(1)	
19	201.05-08	铜垫片	Washer	1	1	
20	2101.11-13	曲柄轴前轴套	Bushing	1	1	
21	2101.11-14	曲柄轴	Crankshaft	1	1	
22	2101.11-15	油线	Oil wick	1	1	
23	2101.11-16	插销	Pin	1	1	
24	2101.11-17	油毡	Oil felt	1	1	
25	2101.11-18	油塞	Plug	1	1	
26	2101.11-19	油毡	Oil felt	5	5	
27	2101.11-20	送料轴油封导架	Guide/Feed Bar Oil Seal	1	1	
28	2101.11-21	油封	Oil seal	1	1	
29	01-503000321-1	M3×3螺钉	Screw	1	1	
30	2101.11-22	上送布架组件	Top Feed Bar Asseby	1	1	
31	2101.11-22-01	上送布牙架	Top Feed Bar	(1)	(1)	
32	2101.11-22-02	上送布牙架导向	Guide	(1)	(1)	
33	01-104001021-1	M4×10螺钉	Screw	1	1	
34	2101.11-23	平垫片	Washer	1	1	
35	01-705051325-1	M5×13螺钉	Screw	1	1	
36	05-053151102-5	平垫片	Washer	1	1	
37	2101.11-24	上送布牙架限位座	Guide/Top Bar Oil Seal	1	1	
38	01-804000414-1	M4×4螺钉	Screw	2	2	
39	2101.11-25	上送布牙架限位头	Guide/Top Bar Oil Seal	1	1	
40	2101.11-26	上送布牙	Top Feed Bar	1		
	2102.11-26	上送布牙	Top Feed Bar		1	
41	01-535001021-1	M3.5×10螺钉	Screw	1	1	
42	2101.11-27	压杆头	Presser Bar	1	1	
43	2101.11-28	调压簧	Spring	1	1	
44	2101.11-29	调节螺钉	Screw	1	1	
45	2101.11-30	调节螺母锁紧套	Nut	1	1	



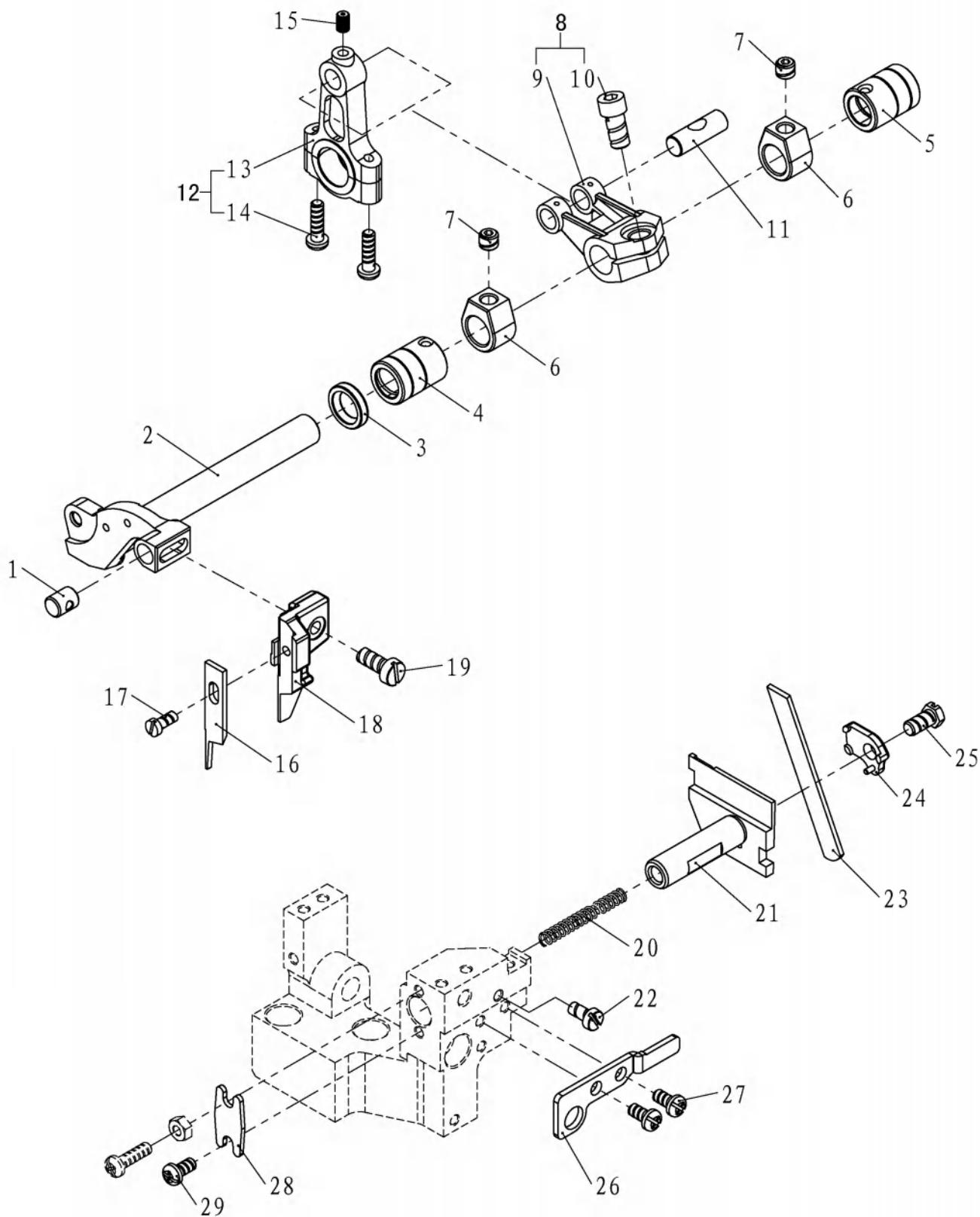
12. 上送布传动部分(2) Top feed transmit mechanism(2)

序号	图号	名称		4线	4线厚料	备注
		中文	英文			
1	2101.12-01	上送前后偏心凸轮组件	Eccentric ASM	1	1	
2	2101.12-01-01	偏心凸轮	Eccentric	(1)	(1)	
3	01-805000514-1	M5×5螺钉	Screw	(2)	(2)	
4	2101.12-02	平垫片	Washer	1	1	
5	2101.12-04	上送布传动连杆组件	Connection ASM	1	1	
6	2101.12-04-01	上送布传动连杆	Connection	(1)	(1)	
7	01-404001823-1	M4×18螺钉	Screw	(2)	(2)	
8	2101.05-03	机针传动轴后套筒	Bushing	1	1	
9	2101.12-05	上送传动曲柄组件	Crank ASM	1	1	
10	2101.12-05-01	上送传动曲柄	Crank	(1)	(1)	
11	01-506751224-1	M6×12螺钉	Screw	(1)	(1)	
12	201.05-07	后套筒	Bushing	1	1	
13	2101.12-07	上送传动轴	Rod	1	1	
14	06-0800816-1	卡簧	Ring	1	1	
15	22-19807024	橡胶塞	Plug	1	1	
16	201.05-08	平垫片	Washer	2	2	
17	2101.12-08	差动曲柄组件	Crank Asseby	1	1	
18	2101.12-08-01	差动曲柄	Crank	(1)	(1)	
19	01-506751224-1	M6×12螺钉	Screw	(1)	(1)	
20	2101.12-08-02	差动曲柄滑块	Block	(1)	(1)	
21	2101.12-09	滑块销	Pin	1	1	
22	06-0400609-1	卡簧	Ring	1	1	
23	2101.12-10	差动连杆滑块	Block	1	1	
24	2101.12-11	上送连杆	Link	1	1	
25	01-804000414-1	M4×4螺钉	Screw	2	2	
26	2101.12-12	上送连杆销	Pin	1	1	
27	01-804000414-1	M4×4螺钉	Screw	2	2	
28	2101.12-13	上送曲柄组件	Crank Asseby	1	1	
29	2101.12-13-01	上送曲柄	Crank	(1)	(1)	
30	01-506751224-1	M6x12螺钉	Screw	(1)	(1)	
31	2101.12-14	轴套组件	Collar	1	1	
32	2101.12-14-01	轴套	Collar	(1)	(1)	
33	01-805000514-1	M5×5螺钉	Screw	(1)	(1)	
34	201.07-06	上送布轴后套筒	Bushing	1	1	
35	2101.12-16	上送布轴前套筒	Bushing	1	1	
36	2101.12-17	上送布轴	Crankshaft	1	1	
37	2101.11-19	油毡	Oil felt	2	2	
38	2101.12-19	油毡	Oil felt	2	2	
39	2101.11-18	油塞	Plug	2	2	



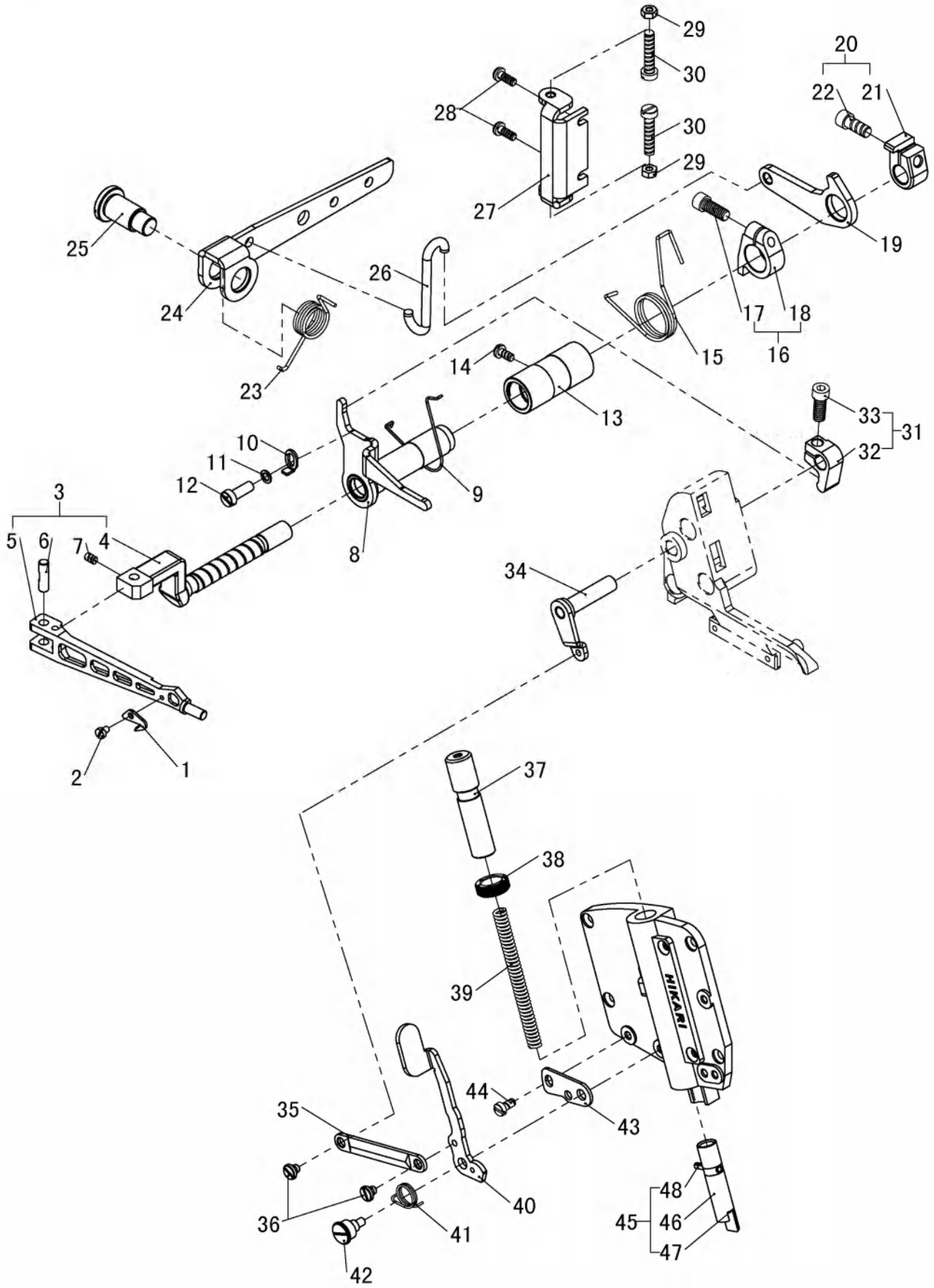
13. 上送布传动部分(3) Top feed transmit mechanism(3)

序号	图号	名称		4线	4线厚料	备注
		中文	英文			
1	2101.13-01	上送差动连杆组件	Lever ASM	1	1	
2	2101.13-01-01	差动连杆	Lever	(1)	(1)	
3	01-506751224-1	M6x12螺钉	Screw	(1)	(1)	
4	2101.13-02	连杆前轴套	Bushing	1	1	
5	2101.13-03	挡圈	Collar	1	1	
6	01-806001014-1	M6×10螺钉	Screw	1	1	
7	2101.13-04	拉簧连接板	Latch	1	1	
8	2101.13-05	拉簧	Spring	1	1	
9	2101.13-06	固定板	Latch	1	1	
10	01-504000821-1	M4×8螺钉	Screw	1	1	
11	2101.13-07	连杆后轴套	Bushing	1	1	
12	2101.13-08	上送差动轴	Rod	1	1	
13	12-115160	O型圈	O Ring	1	1	
14	2101.13-09	连接板	Lever	1	1	
15	01-104000621-1	M4×6螺钉	Screw	1	1	
16	01-104001021-1	M4×10螺钉	Screw	1	1	
17	2101.13-10	螺母	Nut	1	1	
18	201.09-38	螺钉4.5	Screw	1	1	
19	09-0620513-1	波形垫片	Spring Washer	1	1	
20	2101.13-11	调节板	Blade Guide	1	1	
21	01-504002524-1	M4×25螺钉	Screw	3	3	
22	2101.13-12	套筒	Spacer	3	3	
23	2101.13-13	挡板	Stopper	1	1	
24	01-505001024-1	M5×10螺钉	Screw	2	2	
25	2101.13-14	螺母	Nut	2	2	
26	05-053151102-5	平垫片	Washer	1	1	
27	2101.13-15	差动微调杆	Adjusting Bar	1	1	
28	2101.13-16	标识	Seal	1	1	
29	2101.13-17	弹簧	Spring	1	1	
30	2101.13-18	销	Pin	1	1	
31	06-0300607-1	卡簧	Ring	1	1	



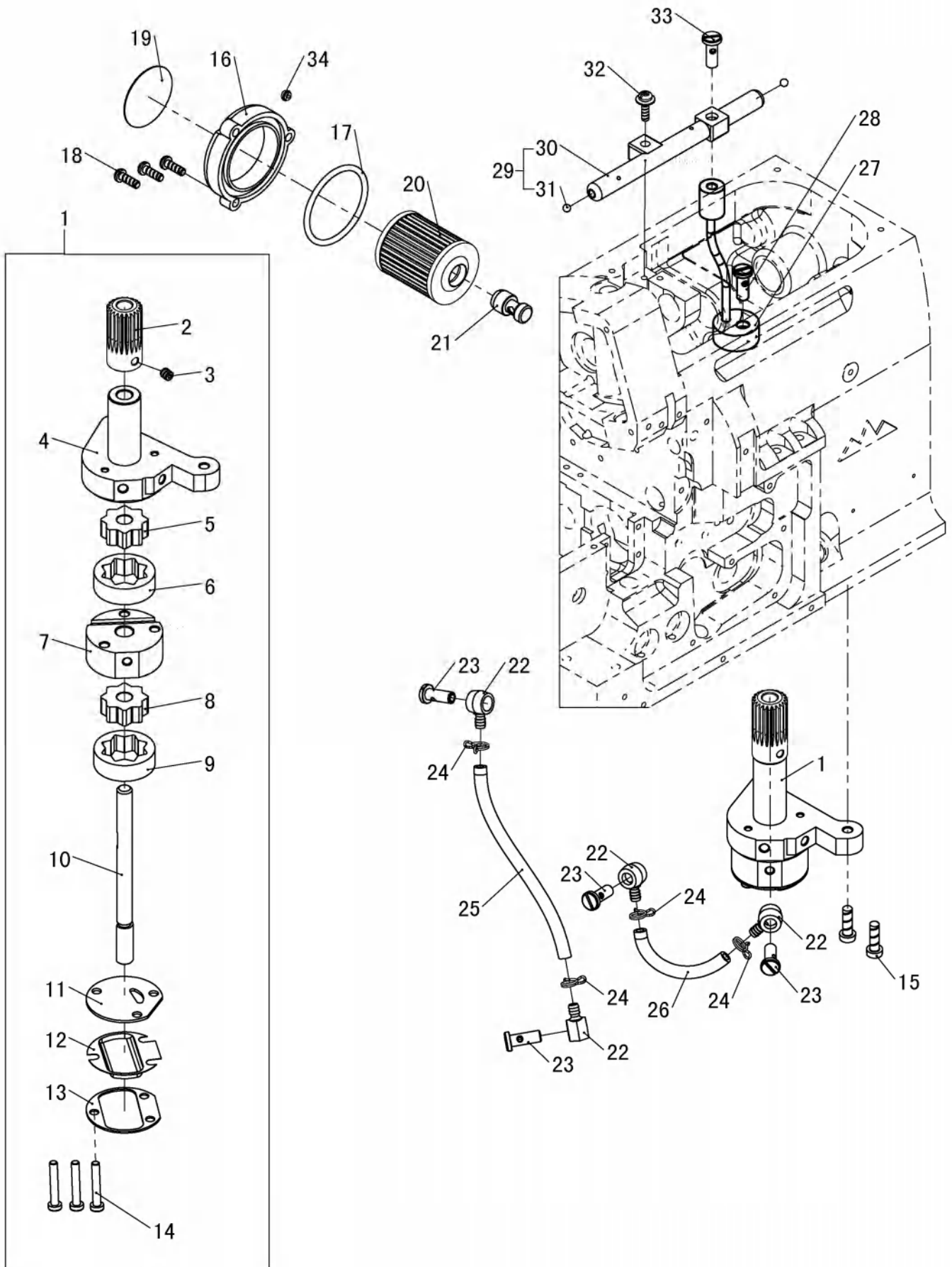
14. 剪切部分 Thread trimmer mechanism

序号	图号	名称		4线	4线厚料	备注
		中文	英文			
1	201.11-01	销轴	Pin	1	1	
2	2111.10-01	上刀轴	Upper Knife Shaft	1	1	
3	13-09330150	油封	Oil Seal	1	1	
4	201.07-06	套筒	Bushing	1	1	
5	201.07-06	套筒	Bushing	1	1	
6	201.11-06	上刀轴箍	Crank Pin	2	2	
7	01-806750514-1	挡圈螺钉	Screw	2	2	
8	2101.14-02	上切刀曲柄组件	Feed Forked Arm Components	1	1	
9	2101.14-02-01	上切刀曲柄	Feed Forked Arm	(1)	(1)	
10	01-506751224-1	螺钉M6x12	Screw	(1)	(1)	
11	201.05-13	销轴	Pin	1	1	
12	201.11-11	上刀连杆组件	Connecting Rod ASM	1	1	
13	201.11-11-01	上刀连杆	Feed Forked Connecting Rod	(1)	(1)	
14	01-404001623-1	上切刀传动连杆固定螺钉	Setscrew	(2)	(2)	
15	01-804000614-1	上切刀传动连杆紧定螺钉	Setscrew	1	1	
16	201.11-14	上切刀	Upper Knife	1	1	
17	01-535000821-1	上切刀固定螺钉	Setscrew	1	1	
18	201.11-16	上刀座	Plain Knife Support	1	1	
19	01-504001221-1	上切刀架固定螺钉	Setscrew	1	1	
20	201.11-18	下切刀弹簧	Lower Knife Spring	1	1	
21	201.11-19	下切刀架	Lower Knife Slide Stud	1	1	
22	01-504000821-1	下切刀架固定螺钉	Setscrew	1	1	
23	201.11-21	下切刀	Lower Knife	1	1	
24	201.11-22	下切刀压板	Lower Knife Presser Board	1	1	
25	01-705000821-1	下切刀固定螺钉	Setscrew	1	1	
26	201.11-24	下切刀架支板	Lower Knife Bracket Support	1	1	
27	01-404000823-1	下切刀架定位板固定螺钉	Setscrew	2	2	
28	201.11-26	弹簧挡板	Spring Plate	1	1	
29	01-404000823-1	弹簧挡板固定螺钉	Spring Plate Setscrew	2	2	



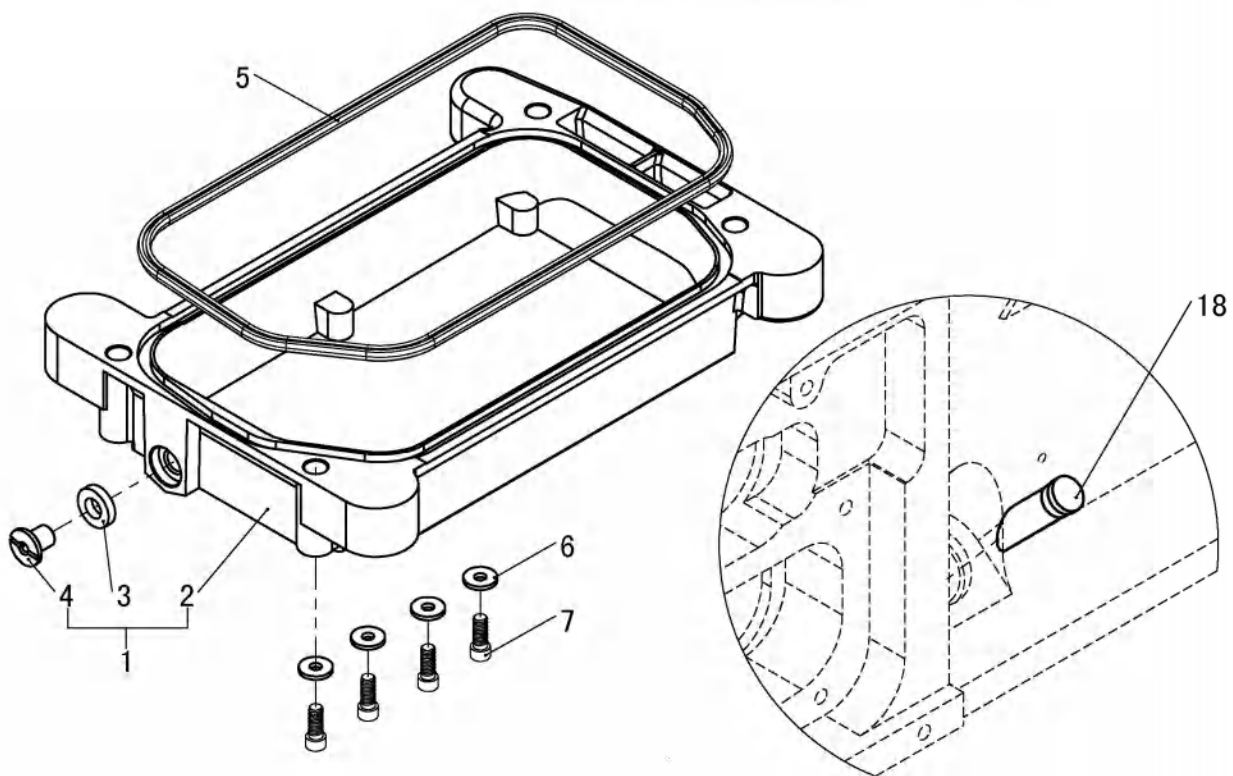
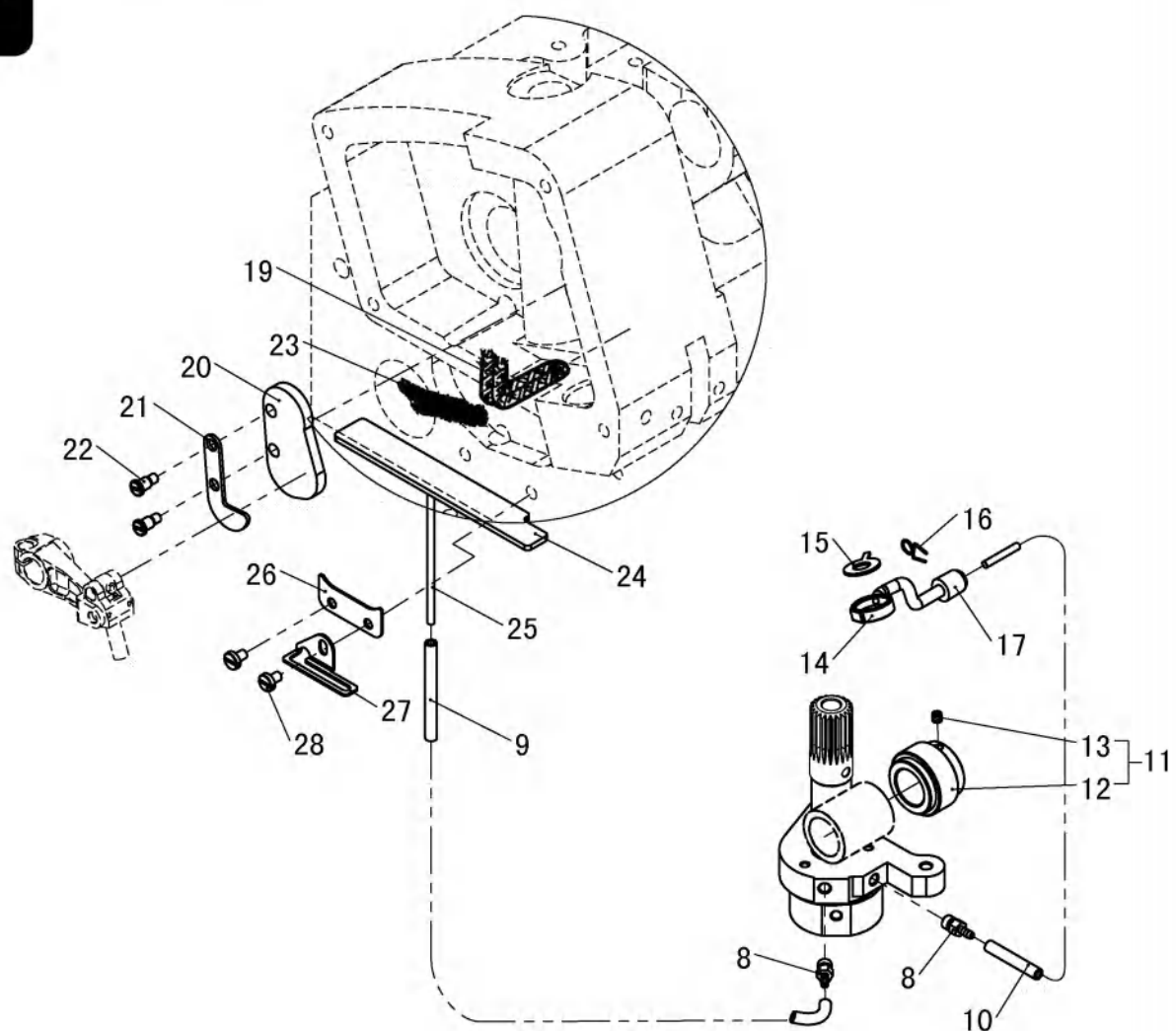
15. 压布传动部分 Presser foot driving mechanism

序号	图号	名称		4线	4线厚料	备注
		中文	英文			
1	201.13-25	割线刀	Thread Cutting Knife	1	1	
2	01-503000421-1	割线刀螺钉	Thread Cutting Knife Screw	1	1	
3	201.13-02A	抬压脚组件	Lifting Presser Foot ASM	1	1	
4	201.13-02A-01	抬压脚轴	Lifting Presser Foot Shaft	(1)	(1)	
5	201.13-02A-02	抬压脚臂	Lifting Presser Foot Arm	1	1	
6	201.13-02A-03	铰链销	Hinge Pin	1	1	
7	01-804000614-1	铰链销紧定螺钉	Hinge Pin Setscrew	1	1	
8	2101.15-01	抬牙杠杆	Lever	1	1	
9	2101.15-02	弹簧	Spring	1	1	
10	2101.15-03	定位片	Stopper	1	1	
11	09-0420408-1	平垫片	Spring Washer	1	1	
12	01-504000621-1	M4×6螺钉	Screw	1	1	
13	2101.15-04	压脚轴套	Presser Foot Bushing	1	1	
14	01-404000823-1	压脚轴套紧定螺钉	Presser Foot Bushing Setscrew	1	1	
15	2101.15-05	扭簧	Twisting Spring	1	1	
16	2101.15-06	挡圈组件	Collar ASM	1	1	
17	2101.15-06-01	挡圈	Collar	(1)	(1)	
18	01-505001424-1	螺钉 M5x14	Screw	(1)	(1)	
19	201.13-12	抬压脚轴杠杆	Lifting Presser Foot Shaft Lever	1	1	
20	201.13-13	抬压脚曲柄组件	Lifting Presser Foot Crank ASM	1	1	
21	201.13-13-1	抬压脚曲柄	Lifting Presser Foot Crank	(1)	(1)	
22	01-506751424-1	抬压脚曲柄螺钉	Lifting Presser Foot Crank Screw	(1)	(1)	
23	201.13-15	杠杆弹簧	Adjusting Lever Spring	1	1	
24	201.13-16	抬压脚杠杆	Lifting Lever Link	1	1	
25	201.13-17	抬压脚杠杆轴位螺钉	Lifting Lever Link Screw	1	1	
26	2101.15-07	吊钩	Lifting Hook	1	1	
27	201.13-19G	抬压脚杠杆限位板	Lifting Level Link Limited Board	1	1	
28	01-404001023-1	固定螺钉	Setscrew	2	2	
29	01-505002421-1	调节螺钉	Presser Spring Regulation	2	2	
30	03-605000400-1	调节螺母	Nut	2	2	
31	2101.15-08	杠杆组件	Lever ASM	1	1	
32	2101.15-08-01	杠杆	Lever	(1)	(1)	
33	01-505001224-1	M5×12螺钉	Screw	(1)	(1)	
34	2101.15-09	连杆轴	Lever	1	1	
35	2101.15-10	连杆	Link	1	1	
36	2101.15-11	轴台螺钉	Screw	2	2	
37	2101.15-12	调压螺钉	Presser Screw Regulation	1	1	
38	2101.15-13	调压螺母	Nut Regulation Collar	1	1	
39	2101.15-14	调压簧	Presser Spring	1	1	
40	2101.15-15	抬压脚扳手	Spanner	1	1	
41	201.13-31	抬压脚扳手簧	Spanner Spring	1	1	
42	201.13-32	抬压脚扳手固定螺钉	Setscrew	1	1	
43	2101.15-16	压板	Presser Board	1	1	
44	01-604000821-1	压板固定螺钉	Setscrew	1	1	
45	2101.15-17	压杆头组件	Presser Rod Head ASM	1	1	
46	2101.15-17-01	压杆头	Presser Rod Head	(1)	(1)	
47	2101.15-17-02	压杆头升降固定销	Lifting Pin	(1)	(1)	
48	2101.15-17-03	压杆头固定塑料销	Plastic Pin	(1)	(1)	



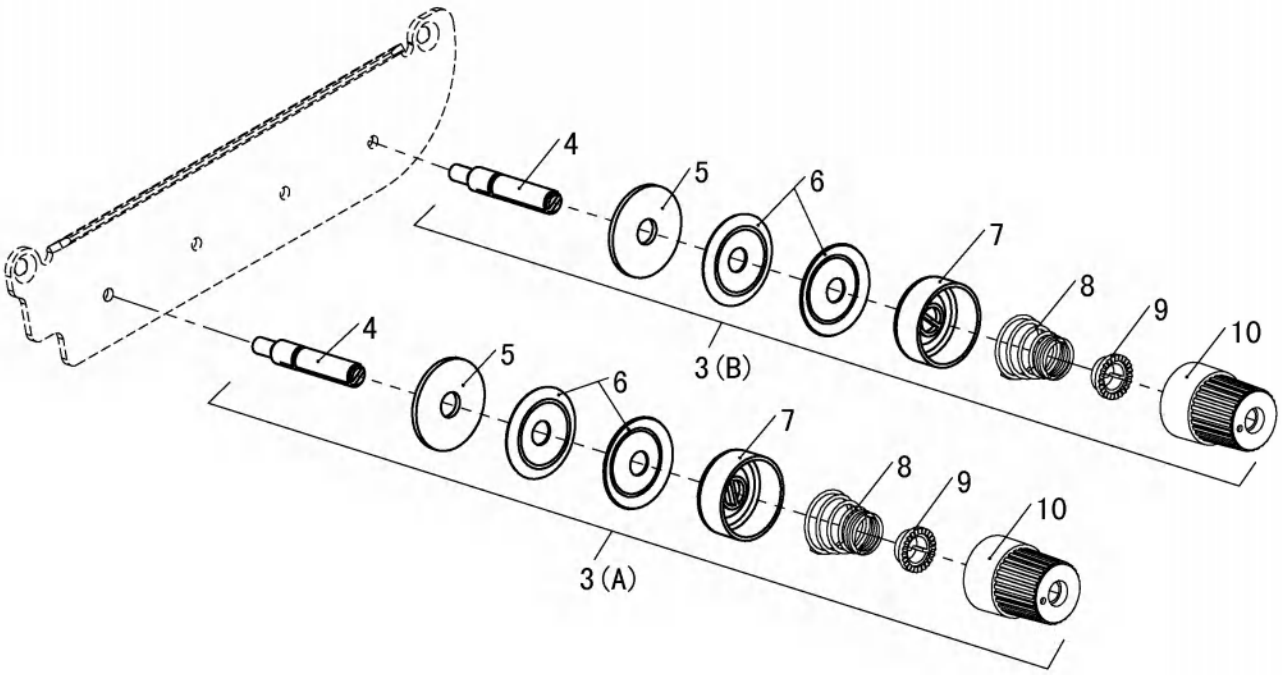
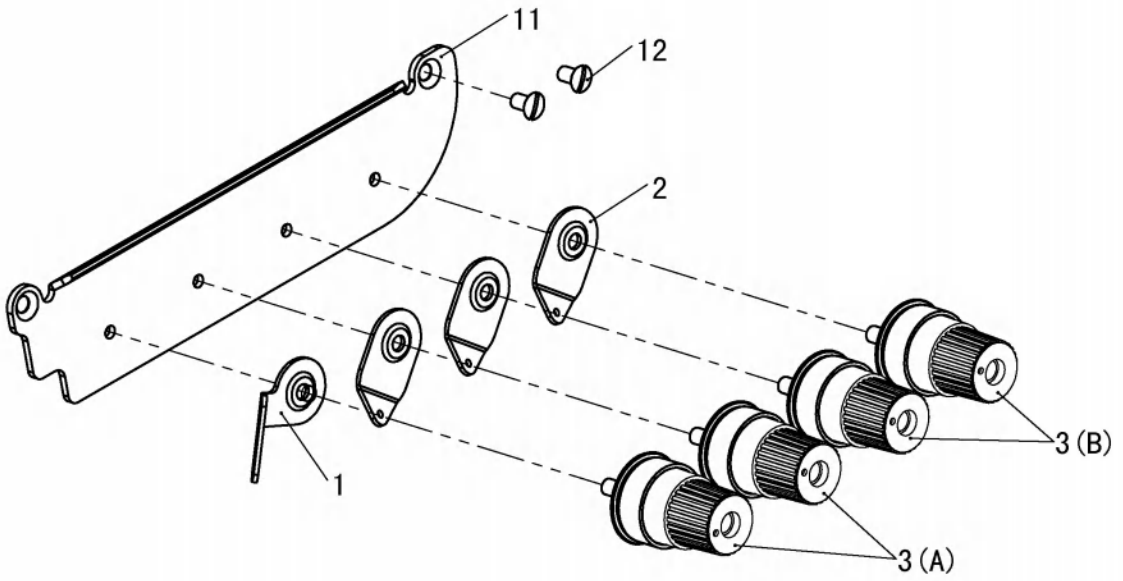
16. 润滑部分 Lubrication component

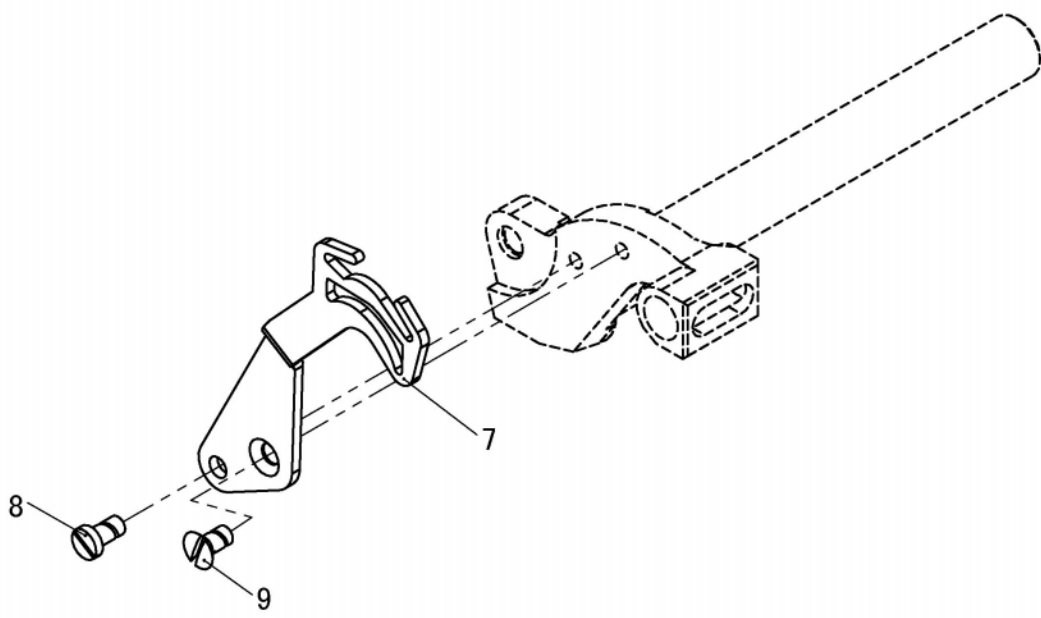
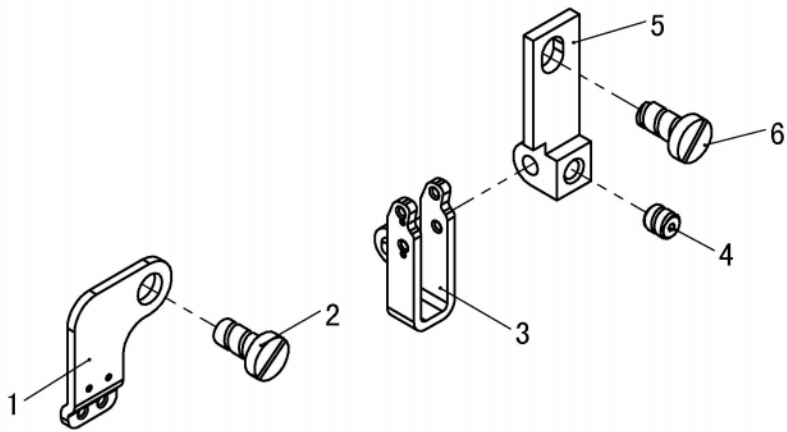
序号	图号	名称		4线	4线厚料	备注
		中文	英文			
1	210.14-00	油泵组件	Oil Pump ASM	1	1	
2	201.14-01-01	油泵蜗轮	Worm Gear	(1)	(1)	
3	01-805000514-1	油泵蜗轮紧定螺钉	Worm Gear Setscrew	(1)	(1)	
4	201.14-01-03	油泵体	Oil Pump	(1)	(1)	
5	201.14-01-04	油泵转子	Pinion Gear	(2)	(2)	
6	201.14-01-05	油泵定子	Oil Pump Pinion	(2)	(2)	
7	210.14-01-06	油泵底座	Oil Pump Base	(1)	(1)	
8	210.14-01-04	大油泵转子	Pinion Gear	(1)	(1)	
9	210.14-01-05	大油泵定子	Oil Pump Pinion	(1)	(1)	
10	201.14-01-07	油泵主轴	Gear Pump Shaft Large	(1)	(1)	
11	201.14-01-08	油泵底板	Pinion Spacer	(1)	(1)	
12	201.14-01-09	滤油网	Filter	(1)	(1)	
13	201.14-01-10	滤油网固定片	Filter Gasket	(1)	(1)	
14	201.14-01-11	油泵底板固定螺钉	Setscrew	(3)	(3)	
15	01-504001621-1	螺钉	Screw	2	2	
16	351.17-05	过滤器盖	Oil Finding Cap	1	1	
17	12-390350	O型圈	O Ring	1	1	
18	01-404001223-1	M4×12螺钉	Screw	3	3	
19	201.02-37	过滤器标识	Filter Seal	1	1	
20	201.14-05	滤油器	Cartridge Filter	1	1	
21	2101.16-05	滤油器接头	Joint	1	1	
22	201.14-10	油管接头	Oil Pipe Joint	4	4	
23	201.14-11	油管活接头螺钉	Screw	4	4	
24	201.20-08	油管卡簧	Oil Pipe Spring	4	4	
25	2101.16-01	主轴供油管	Oil Pipe	1	1	
26	2101.16-02	滤油器供油管	Oil Pipe	1	1	
27	2101.16-03	油管导引装置	Oil Distributor	1	1	
28	201.14-11	油管连接螺钉	Screw	1	1	
29	2101.16-04	油分配器组件	Oil Distributor Complete	1	1	
30	2101.16-04-01	油分配器	Oil Distributor	(1)	(1)	
31	2101.16-04-02	塞	Plug	(2)	(2)	
32	18-404001623-3	M4×16螺钉组件	Washer	1	1	
33	201.14-11	油管接头螺钉	Screw	1	1	
34	22-08003010	橡胶塞	Plug	1	1	



17. 油盘部分 Oil reservoir component

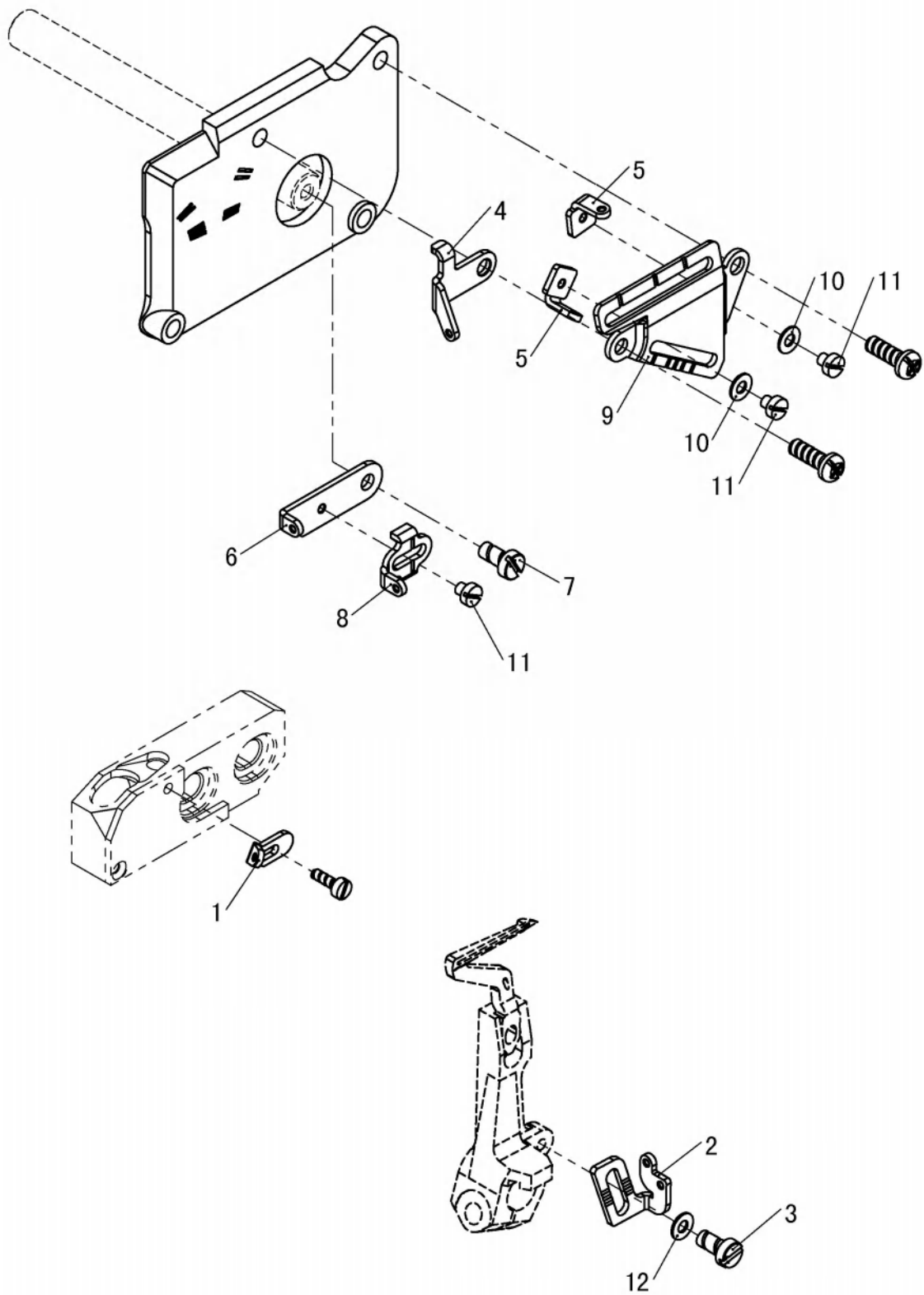
序号	图号	名称		4线	4线厚料	备注
		中文	英文			
1	201.15-01	油盘组件	Oil Tray ASM	1	1	
2	201.15-01-01	油盘	Oil Tray	(1)	(1)	
3	201.15-01-02	放油螺钉油封	Oil Seal	(1)	(1)	
4	201.15-01-03	放油螺钉	Oil Release Screw	(1)	(1)	
5	201.15-04	密封圈	Oil Reservoir Gasket	1	1	
6	05-053201450-1	垫片	Gasket	4	4	
7	01-505001224-1	油盘固定螺钉	Set screw	4	4	
8	201.15-07	油管接头	Oil Pipe Joint	2	2	
9	2101.17-01	机头回油管	Oil Pipe	1	1	
10	2101.17-02	针杆回油管	Oil Pipe	1	1	
11	210.15-10	蜗杆组件	Worm Rod ASM	1	1	
12	210.15-10-01	蜗杆	Worm Rod	(1)	(1)	
13	01-804000421-1	螺钉	Screw	(2)	(2)	
14	2101.17-03	针杆回油器	Oil Returning Components	1	1	
15	2101.17-04	毛毡	Felt	1	1	
16	2101.17-05	油管夹	Oil Pipe Spring	1	1	
17	2101.17-07	橡胶塞	Plug	1	1	
18	201.15-18	圆柱形油窗	Oil Window	1	1	
19	2101.17-08	油线	Oil Wick	1	1	
20	2101.17-09	油毡	Oil Felt	1	1	
21	2101.17-10	固定板	Cover	1	1	
22	01-604000821-1	M4螺钉	Screw	2	2	
23	311.06-03	油毡	Oil Wick	1	1	
24	2101.17-13	毛毡	Felt	1	1	
25	2101.17-14	排油管	Exhaust Oil Distributor	1	1	
26	2101.17-15	后盖	Cover	1	1	
27	2101.17-16	垫片	Spacer	1	1	
28	01-504000621-1	M4×6螺钉	Screw	2	2	

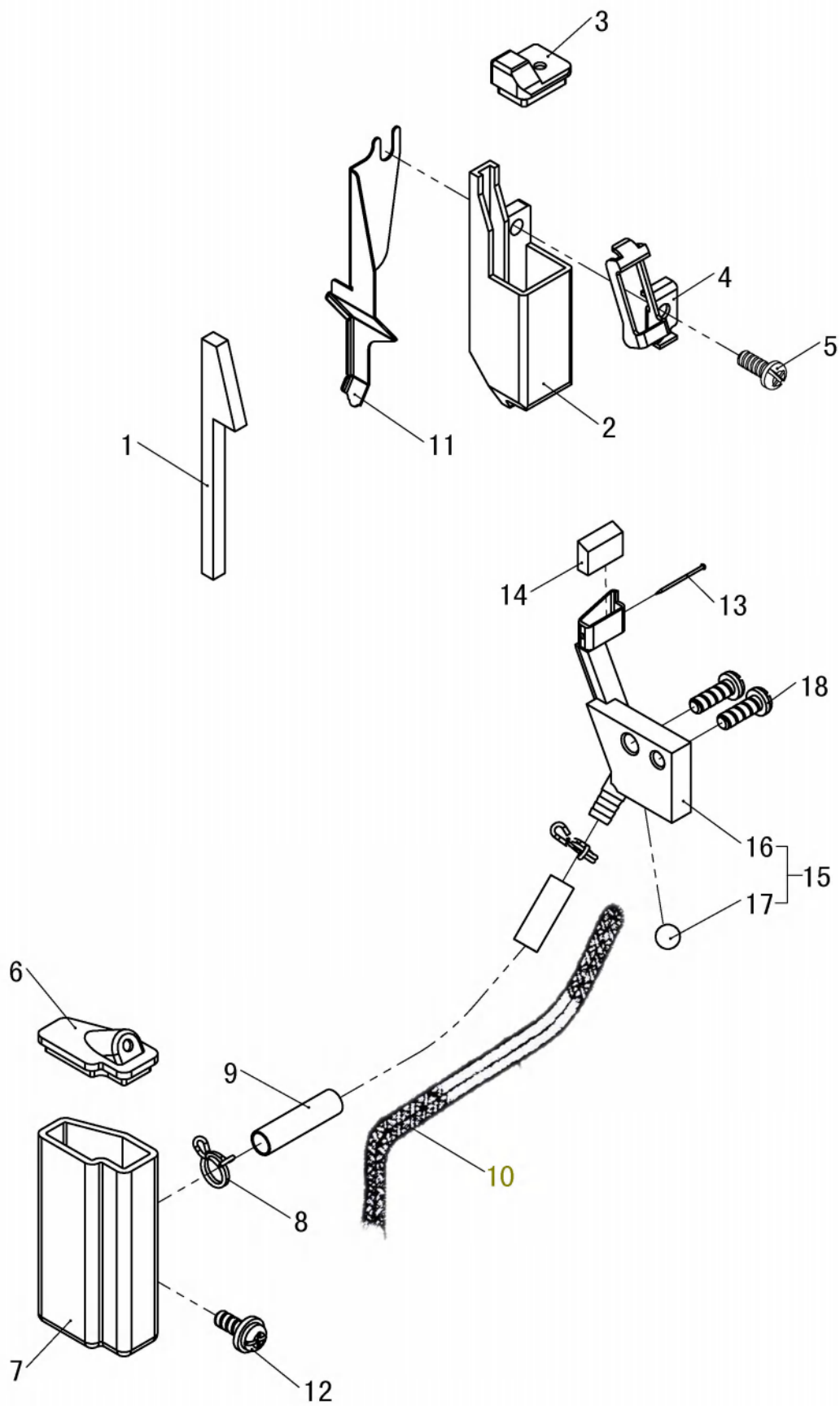


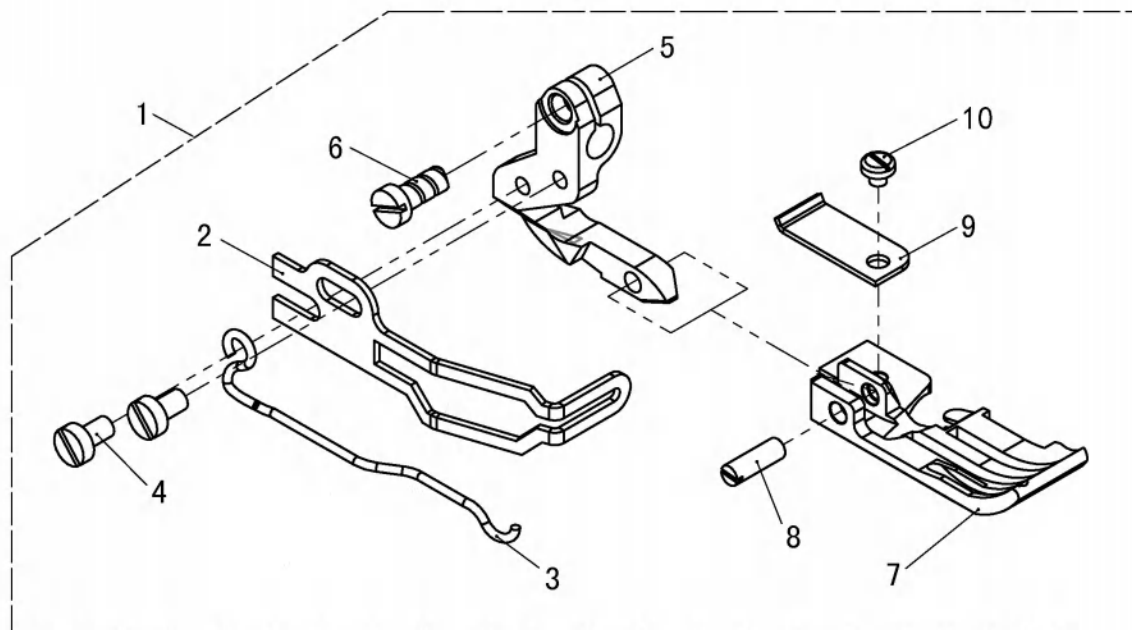


19. 过线件部分(1) Thread guider component(1)

序号	图号	名称		4线	4线厚料	备注
		中文	英文			
1	202.17-05	穿线板	Thread Tension Disk	1	1	
2	01-604000821-1	穿线板螺钉	Screw	1	1	
3	202.17-09	二眼过线板组件	Two-hole Thread Tension ASM	1	1	
4	01-804000414-1	二眼过线板螺钉	Screw	1	1	
5	201.17-11	过线板座	Thread Tension Base	1	1	
6	01-604000821-1	过线板座螺钉	Screw	1	1	
7	2101.19-01	挑线板	Thread Take-up Disk	1	1	
8	01-603000621-1	M3×6螺钉	Setscrew	1	1	
9	01-103000621-1	M3×6螺钉	Setscrew	1	1	

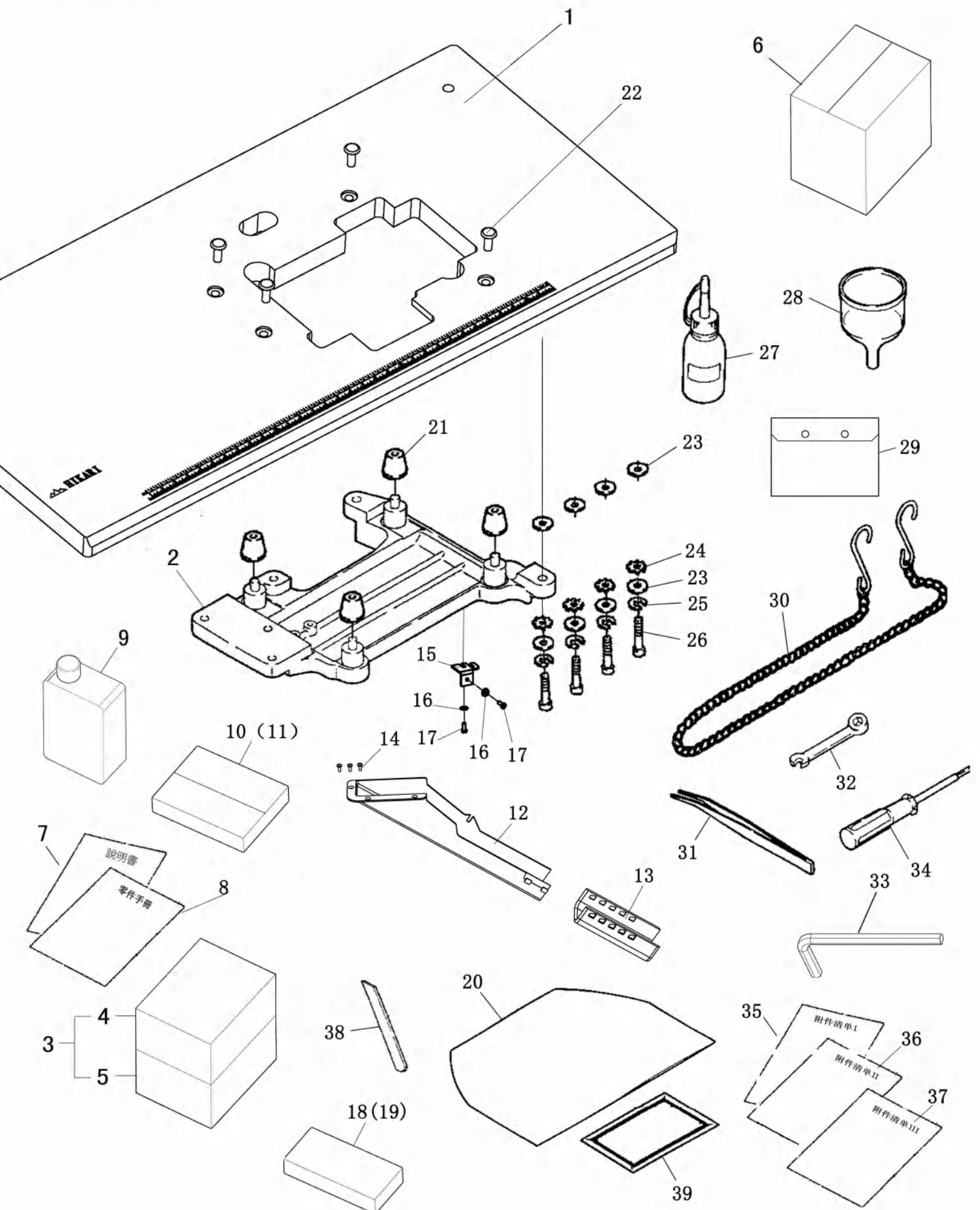






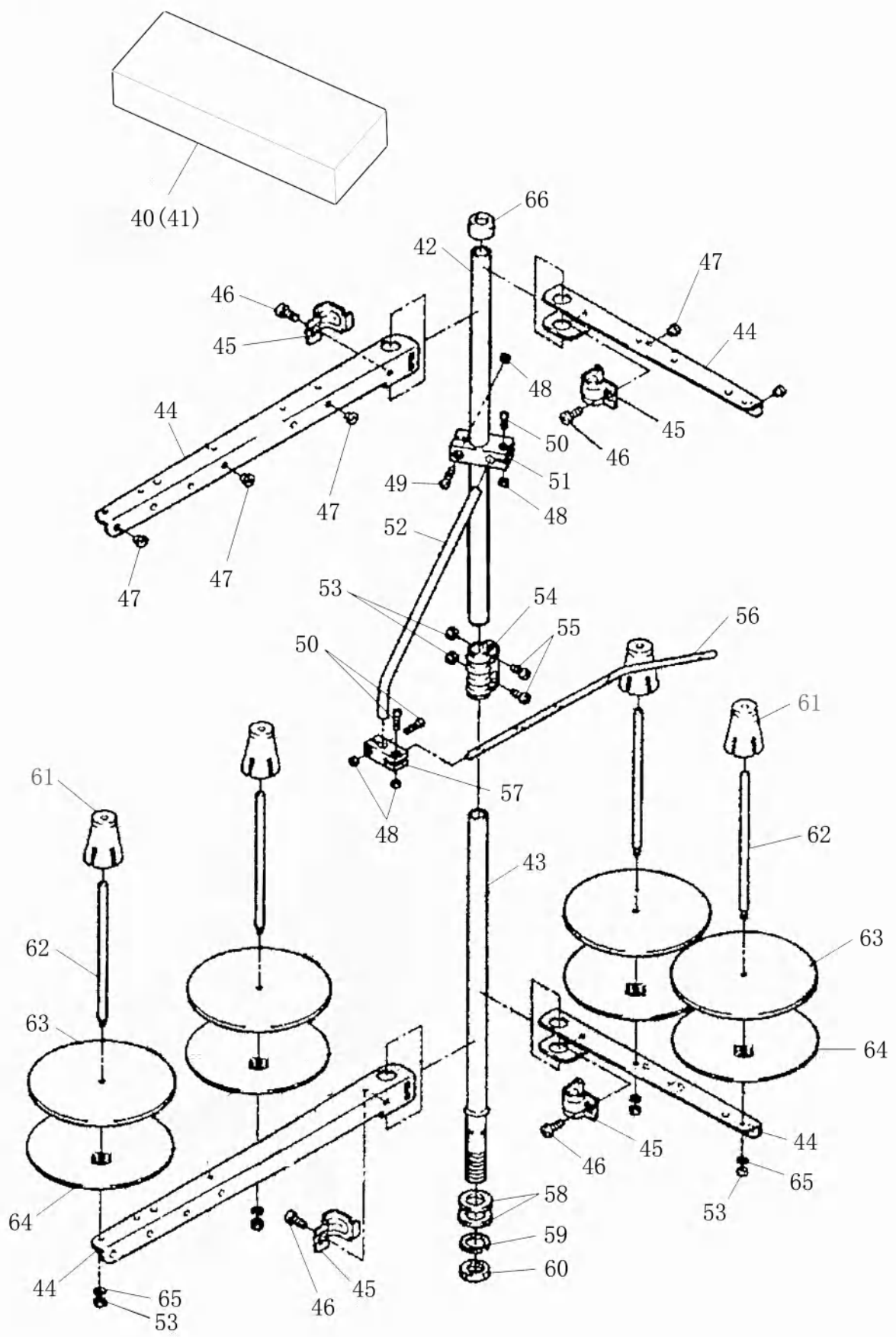
22. 压脚部分 Presser foot mechanism

序号	图号	名称		4线	4线 厚料	备注
		中文	英文			
1	2101.22-01	压脚组件	Presser Foot components	1		
	2102.22-01	压脚组件	Presser Foot components		1	
2	2101.22-01-01	护指器	Stopper	1	1	
3	2101.22-01-02	压脚弹簧	Presser Foot Spring	1	1	
4	01-503000521-1	压脚弹簧固定螺钉M3x5	Setscrew	2	2	
5	2101.22-01-03	压脚柄	Presser Foot Crank	1	1	
6	01-535000821-1	压脚柄固定螺钉 M3.5x8	Screw	1	1	
7	2101.22-01-04	压脚底板	Presser Foot Plate	1		
	2102.22-01-04	压脚底板	Presser Foot Plate		1	
8	2101.22-01-05	压脚底板连接螺钉	Screw	1	1	
9	2101.22-01-06	挡布板	Retainer	1	1	
10	02-506560321-1	挡布板固定螺钉C1x2.3	Setscrew	1	1	



23. 附件部分 (1) Accessory list(1)

序号	图号	名称		4线	4线 厚料	备注
		中文	英文			
1	2101.23-01	台板	Table(Semi-Sunken)	1	1	
2	201.22-02	台板托盘	Frame Holding Plate	1	1	
3	2101.24-02	泡沫箱组件	Foam Box ASM	1	1	
4	2101.24-02-01	泡沫箱 (上)	Foam Box (Up)	(1)	(1)	
5	2101.24-02-02	泡沫箱 (下)	Foam Box (Down)	(1)	(1)	
6	2101.24-01	外包装箱	Packing Box (Outside)	1	1	
7	2101.24-03	说明书	Instruction Manual	1	1	
8	2101.24-04	零件手册	Parts Book	1	1	
9	201.22-06	大油壶	Oil Pot	1	1	
10	201.22-07	大附件箱组件	Big Accessories Box ASM	1	1	
11	201.22-07-01	大附件箱 (A)	Big Accessories Box (A)	(1)	(1)	
12	201.22-07-02	漏斗槽上段	Cloth Waste Chute Upper	(1)	(1)	
13	201.22-07-03	漏斗槽下段	Cloth Waste Chute Lower	(1)	(1)	
14	201.22-07-04	漏斗槽上段固定螺钉	Setscrew	(3)	(3)	
15	201.22-07-05	漏斗槽固定板	Funnel Chute Fixed Plate	(1)	(1)	
16	201.22-07-06	漏斗槽固定板垫片	Gasket	(2)	(2)	
17	01-404001023-1	漏斗槽固定板螺钉	Screw	2	2	
18	201.22-07-08	小附件箱组件	Small Accessories Box ASM	(1)	(1)	
19	201.22-07-08-01	小附件箱 (C)	Small Accessories Box (C)	{1}	{1}	
20	201.22-07-08-02	防尘罩	Dust-Proof Cap	{1}	{1}	
21	201.22-07-08-03	机头防震销垫	Dust-Proof Rubber	{4}	{4}	
22	201.22-07-08-04	台板固定螺套	Holding Plate Bolt	{4}	{4}	
23	201.22-07-08-05	台板托盘垫片	Fram Holding Plate Spacer	{8}	{8}	
24	201.22-07-08-06	外齿锁紧垫圈	Washer	{4}	{4}	
25	201.22-07-08-07	标准型弹簧垫圈	Standard Spring Washer	{4}	{4}	
26	01-508004524-1	台板托盘螺钉	Fram Holding Plate Screw	{4}	{4}	
27	201.22-07-08-09	小油壶	Oil Container	{1}	{1}	
28	201.22-07-08-10	油漏斗	Oil Funnel	{1}	{1}	
29	201.22-07-08-11	附件袋	Accessories Bag	{1}	{1}	
30	201.22-07-08-12	链钩	Chain Hook	{1}	{1}	
31	201.22-07-08-13	镊子	Tweezers	{1}	{1}	
32	201.22-07-08-14	双头扳手S8	Double-ended Spanner S8	{1}	{1}	
33	201.22-07-08-15	内六角扳手S6	Hexagon Spanner S6	{1}	{1}	
34	201.22-07-08-16	有柄内六角扳手S1.5	Hexagon Spanner S1.5	{1}	{1}	
35	2101.23-07-08-17	附件清单I	Accessories Listing I	{1}	{1}	
36	2101.23-07-08-18	附件清单II	Accessories Listing II	{1}	{1}	



23. 附件部分 (2) Accessory list(2)

序号	图号	名称		4线	4线厚料	备注
		中文	英文			
37	201.22-07-08-19	附件清单III	Accessories Listing III	{1}	{1}	
38	201.11-21	下切刀	Knife	{1}	{1}	
39	201.05-32G	机针 (DC×27#11)	Needle	{2}	{2}	
40	202.22-07-09	中附件箱组件	Center Accessories Box ASM	(1)	(1)	
41	201.22-07-09-01	中附件箱 (B)	Center Accessories Box (B)	{1}	{1}	
42	201.22-07-09-02	线架上管	Thread Standing Pipe (upper)	{1}	{1}	
43	201.22-07-09-03	线架下管	Thread Standing Pipe (lower)	{1}	{1}	
44	202.22-07-09-04	过线臂 (短)	Thread Guide Arm (short)	{4}	{4}	
45	201.22-07-09-05	张扣	Thread Guide Arm Joint	{4}	{4}	
46	201.22-07-09-06	张扣螺钉	Thread Guide Arm Joint Screw	{4}	{4}	
47	201.22-07-09-07	过线磁眼	Thread Guide Hole	{4}	{4}	
48	201.22-07-09-08	螺母	Nut	{4}	{4}	
49	201.22-07-09-09	大固定夹螺钉A	Setscrew A	{1}	{1}	
50	201.22-07-09-10	固定夹螺钉B	Setscrew B	{3}	{3}	
51	201.22-07-09-11	大固定夹	Thread Standing Guide Base(big)	{1}	{1}	
52	201.22-07-09-12	固定夹连接杆	Thread Standing Guide Arm	{1}	{1}	
53	201.22-07-09-13	螺母	Nut	{6}	{6}	
54	201.22-07-09-14	上下管接头	Thread Standing Rod Joint	{1}	{1}	
55	201.22-07-09-15	接头螺钉	Screw	{2}	{2}	
56	201.22-07-09-16	穿线杆	Thread Standing Thread Guide	{1}	{1}	
57	201.22-07-09-17	小固定夹	Thread Standing Guide Base(small)	{1}	{1}	
58	201.22-07-09-18	下管垫片	Washer	{2}	{2}	
59	201.22-07-09-19	弹簧垫	Spring Washer	{1}	{1}	
60	201.22-07-09-20	大螺母	Big Nut	{1}	{1}	
61	201.22-07-09-21	线圈芯	Spool Retainer	{4}	{4}	
62	201.22-07-09-22	线圈轴	Spool Pin	{4}	{4}	
63	201.22-07-09-23	线盘垫	Spool Rest Cushion	{4}	{4}	
64	201.22-07-09-24	线盘	Spool Rest	{4}	{4}	
65	201.22-07-09-25	弹性垫圈	Spring Washer	{4}	{4}	
66	201.22-07-09-26	上管盖帽	Thread Stand Rod Rubber Cap	{1}	{1}	